

REPEALED

Repealed by M.R. 31/2011.
Date of repeal: 1 Apr. 2011

This version was current for the period set out in the footer below.

(C.C.S.M. c. B93)

Manitoba Building Code

Regulation 127/2006
Registered June 20, 2006

Adoption of National Building Code of Canada 2005

1 Subject to the amendments set out in the Schedule to this regulation, the *National Building Code of Canada 2005*, issued by the Canadian Commission on Building and Fire Codes, National Research Council Canada, is adopted as the building code in Manitoba.

New code not effective in Manitoba

1.1 Despite clause 3(2)(b) of *The Buildings and Mobile Homes Act*, the code described in section 1 continues as the building code in Manitoba until April 1, 2011, and no new code substituted for it before that date is effective in Manitoba.

M.R. 157/2010

Adoption of ventilation standard

2(1) The provisions of sections 3 and 4 of *The Non-Smokers Health Protection Act* requiring a separate ventilation system in a tobacconist's shop, or in a room designated as a smoking room under that Act, are adopted as building construction standards in Manitoba.

ABROGÉ

Abrogé par R.M. 31/2011.
Date d'abrogation : 1^{er} avril 2011

La présente version était à jour pendant la période indiquée en bas de page.

MOBILES

(c. B93 de la C.P.L.M.)

Code du bâtiment du Manitoba

Règlement 127/2006
Date d'enregistrement : le 20 juin 2006

Adoption par renvoi

1 Sous réserve des modifications figurant à l'annexe du présent règlement, le *Code national du bâtiment – Canada 2005*, publié par la Commission canadienne des codes du bâtiment et de prévention des incendies, Conseil national de recherches du Canada, est adopté à titre de code du bâtiment pour le Manitoba.

Maintien du code actuel

1.1 Malgré l'alinéa 3(2)(b) de la *Loi sur les bâtiments et les maisons mobiles*, le code prévu à l'article 1 continue d'être le code du bâtiment au Manitoba jusqu'au 1^{er} avril 2011 et aucun nouveau code ne le remplace avant cette date dans la province.

R.M. 157/2010

Adoption des normes de ventilation

2(1) Les dispositions des articles 3 et 4 de la *Loi sur la protection de la santé des non-fumeurs* exigeant un système de ventilation distinct dans les débits de tabac, ou dans les endroits désignés à titre de fumoir ou de chambre pour fumeurs en vertu de cette *Loi*, sont adoptées en tant que normes de construction applicables au Manitoba.

All persons making use of this consolidation are reminded that it has no legislative sanction. Amendments have been inserted into the base regulation for convenience of reference only. The original regulation should be consulted for purposes of interpreting and applying the law. Only amending regulations which have come into force are consolidated. This regulation consolidates the following amendments: 4/2008; 142/2010; 157/2010.

Veillez noter que la présente codification n'a pas été sanctionnée par le législateur. Les modifications ont été apportées au règlement de base dans le seul but d'en faciliter la consultation. Le lecteur est prié de se reporter au règlement original pour toute question d'interprétation ou d'application de la loi. La codification ne contient que les règlements modificatifs qui sont entrés en vigueur. Le présent règlement regroupe les modifications suivantes : 4/2008; 142/2010; 157/2010.

2(2) Subsection (1) does not apply in relation to a place, premises or land described in section 9.4 of *The Non-Smokers Health Protection Act*.

Repeal

3 The *Manitoba Building Code*, Manitoba Regulation 164/98, is repealed.

2(2) Le paragraphe (1) ne s'applique pas aux endroits, aux locaux ni aux terres visés à l'article 9.4 de la *Loi sur la protection de la santé des non-fumeurs*.

Abrogation

3 Le *Code du bâtiment du Manitoba*, R.M. 164/98, est abrogé.

**SCHEDULE
(Section 1)**

AMENDMENTS TO THE NATIONAL BUILDING CODE OF CANADA 2005

1(1) Division A is amended by this section.

1(2) Sentence 1.1.1.1.(3) is struck out.

1(2.1) The following is added after Sentence 1.2.1.1.(1):

1.1) If, in respect of the requirements of Article 9.7.1.4., Subsection 9.25.5. and Article 9.32.3.12. of Division B, an alternative solution is used, the alternative's compliance with Clause (1)(b) must be demonstrated using

- a) the HOT2000 (Natural Resources Canada) energy analysis software, or
- b) a method equivalent to the HOT2000 energy analysis software, using good engineering practice that is acceptable to the authority having jurisdiction.

M.R. 142/2010

1(3) Article 1.3.3.1. is replaced with the following:

1.3.3.1. Application of Parts 1, 7, 8 and 10

1) Except as provided in Subsections 1.3.5. and 1.3.6. of Division A, Parts 1, 7, 8 and 10 of Division B apply to all *buildings* covered in this Code. (See Article 1.1.1.1.)

1(4) Article 1.3.3.2. is replaced with the following:

1.3.3.2. Application of Parts 3, 4, 5, 6 and 10

1) Subject to Subsections 1.3.5. and 1.3.6. of Division A, Parts 3, 4, 5, 6 and 10 of Division B apply to all *buildings* described in Article 1.1.1.1. that are

- a) classified as *post-disaster buildings*,
- b) used for *major occupancies* classified as
 - i) Group A, *assembly occupancies*,
 - ii) Group B, *care or detention occupancies*, or
 - iii) Group F, Division 1, *high-hazard industrial occupancies*, or
- c) used for major occupancies classified as follows, if the building exceeds 600 m² or 3 *storeys* in *building height*:
 - i) Group C, *residential occupancies*,

- ii) Group D, *business and personal services occupancies*,
- iii) Group E, *mercantile occupancies*, or
- iv) Group F, Divisions 2 and 3, *medium- and low-hazard industrial occupancies*.

1(5) Article 1.3.3.3. is replaced with the following:

1.3.3.3. Application of Parts 9 and 10

- 1) Subject to Subsections 1.3.5. and 1.3.6. of Division A, Parts 9 and 10 of Division B apply to *buildings* described in Article 1.1.1.1. that
- a) are 3 *storeys* or less in *building height*,
 - b) have a *building area* not exceeding 600 m², and
 - c) are used for *major occupancies* classified as
 - i) Group C, *residential occupancies* (see Appendix Note A-9.1.1.1.(1) of Division B),
 - ii) Group D, *business and personal services occupancies*,
 - iii) Group E, *mercantile occupancies*, or
 - iv) Group F, Divisions 2 and 3, *medium- and low-hazard industrial occupancies*.

1(6) The following is added after Subsection 1.3.4.:

1.3.5. Limited Application to Existing Buildings

1.3.5.1. Alterations and Repairs

1) This Code applies to the part of an existing *building* that is altered and repaired. If, in the opinion of the *authority having jurisdiction*, the *alteration* will affect the degree of safety of a part of the existing *building* not altered or repaired, those parts of the existing *building* shall be improved as required by the *authority having jurisdiction*.

2) If a *building* is altered or repaired, the level of life safety and building performance shall not be decreased.

1.3.5.2. Horizontal Additions

- 1) Horizontal *additions* may be made to an existing *building* or structure if
- a) the *building* and the *addition* conform to this Code, or
 - b) a *firewall* of the required *fire-resistance rating* separates the *building* from the *addition*, and acceptable access for a fire department is provided to the *addition*.

1.3.5.3. Increase in Number of Storeys

1) The number of *storeys* of an existing *building* shall not be increased unless the entire *building* conforms to this Code.

1.3.5.4. Moving a Building

1) This Code applies to the whole or any part of an existing *building* that is moved to a new location.

1.3.5.5. Demolition

1) This Code applies to the work involved in demolishing the whole or any part of a *building* and to the work required to correct a deficiency in any part of the *building* remaining after demolition.

1.3.5.6. Damaged Building

1) This Code and the *Manitoba Fire Code* apply to the work necessary to reconstruct an existing *building* that is damaged by fire or other cause.

1.3.5.7. Unsafe Condition

1) This Code and the *Manitoba Fire Code* apply to the work necessary to correct an *unsafe condition* in or near a *building*.

1.3.5.8. Change in Occupancy

1) This Code applies to a *building* or the parts of a *building* affected by a change to the *major occupancy* of the *building* or part of the *building*.

1.3.6. Exclusions**1.3.6.1. Exclusions from this Code**

- 1) This Code does not apply to
 - a) a *farm building*,
 - b) public works located on a *public way*,
 - c) a public utility tower or pole, or a television, radio or other communication tower or aerial, except for loads resulting from a tower, pole or aerial being located on or attached to a *building*,
 - d) a flood control and hydro-electric dam and structures or mechanical or other equipment and appliances related to the dam not specifically referred to in this Code, or
 - e) a *building* that is not greater than 10 m² in *building area* that, in the opinion of the *authority having jurisdiction*, does not create a hazard.

1(7) Sentence 1.4.1.2.(1) is amended by adding the following definitions:

Addition means a space that is added to an existing *building* that increases the *building area* by more than 10 m².

Architect means a person who is entitled to engage in the practice of architecture under *The Architects Act*.

Building envelope means the components of a *building* that separate heated space from unheated space, or that are in contact with the exterior air or the ground.

Manitoba Electrical Code means

- a) for municipalities other than the City of Winnipeg, the *Manitoba Electrical Code*, or
- b) for the City of Winnipeg, *The Winnipeg Electrical By-law*.

Private pool means an artificially constructed basin, lined with concrete, fibreglass, vinyl or like material, that is capable of containing a water depth greater than 60 cm and that is located on the property of a single-family dwelling.

Professional Engineer has the same meaning as in section 1 of *The Engineering and Geoscientific Professions Act*.

Residential care facility means a *building* or part of a *building* licensed under *The Social Services Administration Act* that is used by a person to provide services to 10 or fewer unrelated individuals who are ambulatory but

- a) due to a disability or condition are precluded from living independently, or
- b) who need temporary supervision, assistance, or counselling.

M.R. 4/2008

1(8) The following is added after Subsection 1.5.2.:**1.5.3. Provincial Codes****1.5.3.1. Fire Code**

1) A reference in this Code to the *National Fire Code of Canada* is deemed to be a reference to the *Manitoba Fire Code*.

1.5.3.2. Electrical Code

1) A reference in this Code to the CSA C22.1, "Canadian Electrical Code, Part I" is deemed to be a reference to the *Manitoba Electrical Code*.

1.5.3.3. Building Code

1) A reference in this Code to the *National Building Code of Canada* is deemed to be a reference to the *Manitoba Building Code*.

1.5.3.4. Plumbing Code

1) A reference in this Code to the *National Plumbing Code of Canada* is deemed to be a reference to the *Manitoba Plumbing Code*.

2(1) Division B is amended by this section.**2(1.1) Table 1.3.1.2. is amended**

(a) in the row "CSA CAN/CSA-F326-M91 Residential Mechanical Ventilation Systems" by replacing the Code Reference entry with the following:

9.32.3.1.(1) 9.32.3.12.(2) 9.32.3.12.(3)(a)

(b) by adding the following after the row "CSA O437.0-93 OSB and Waferboard":

CSA	CAN/CSA-P.2	Testing Method for Measuring the Annual Fuel Utilization Efficiency of Residential Gas-Fired Furnaces and Boilers	9.25.5.5.(1)(a)
-----	-------------	---	-----------------

M.R. 142/2010

2(2) Sentence 3.2.4.1.(3) is replaced with the following:

3) A fire alarm system is not required in a *building* containing not more than 4 *dwelling units* and no other *occupancy*.

2(3) Sentence 3.2.4.1.(4) is struck out.**2(4) Sentence 3.2.4.10.(2) is amended by striking out "and" at the end of clause (e), adding "and" at the end of clause (f) and adding the following after clause (f):**

g) rooms located within portions of *buildings* classified as Group C *major occupancy*. (See also Article 3.2.4.2. for smoke alarms.)

2(5) Sentence 3.4.6.15.(4) is amended by replacing clause (g) with the following:

g) a legible sign is permanently mounted on the *exit* door to indicate that the locking device will release within 15 s of applying pressure to the door-opening hardware,

except that Clauses (e), (f) and (g) do not apply to a Group B, Division 2 *occupancy* where patient safety may be compromised by uncontrolled *means of egress*. (See Appendix A.)

2(6) Repealed.

M.R. 4/2008

2(7) Sentence 3.8.2.3.(2) is amended by adding "or" at the end of clause (a), striking out "or" at the end of clause (b) and by striking out clause (c).**2(8) Clause 4.1.5.15.(1)(a) is replaced with the following:**

a) 3.0 kN/m for *means of egress* serving grandstands, stadiums, bleachers, arenas and open viewing areas,

M.R. 4/2008

2(8.1) Sentence 4.1.8.4.(6) is replaced with the following:

6) For the purposes of Sentence 4.1.8.1.(1), the value of S(0.2) in Manitoba is deemed to be zero.

M.R. 4/2008

2(9) Sentence 4.2.2.3.(1) is amended by striking out "suitably qualified person" and substituting "qualified person responsible to the *designer*".**2(10) and (11) Repealed.**

M.R. 4/2008

2(12) Sentence 4.2.5.4.(1) is amended by adding "by a *professional engineer*" after "prepared".**2(13) Article 9.3.1.3. is replaced with the following:****9.3.1.3. Concrete in Contact with Sulphate Soil**

1) Except as permitted in Sentence (2), concrete in contact with sulphate *soil* deleterious to normal portland cement shall conform to the requirements in Section 16 of CAN3-A23.1, "Concrete Materials and Methods of Concrete Construction".

2) Except for *deep foundations*, sulphate-resisting concrete need not be used in footings, *grade beams*, *foundation walls* or *basement walls* referred to in Article 9.15.2.5. unless expressly specified by a *professional engineer* responsible for the *foundation* design.

M.R. 4/2008

2(13.1) Article 9.6.6.6. is repealed.

M.R. 142/2010

2(13.2) Article 9.7.1.4. is replaced with the following:

9.7.1.4. Window Energy Efficiency Properties

1) Windows which separate heated space from unheated space or from the exterior shall, at a minimum, be provided with sealed double-glazed units.

2) A window with more than one glazing shall have a minimum of 12.7 mm of space and an insulated spacer between each glazing. At least one of the glazings shall be provided with a low emissivity coating.

3) Sentences (1) and (2) do not apply to

a) a window located in a door, including a patio or garden door,

b) a sidelight immediately adjacent to a door, or

c) a *foundation* window that is not located within a wall of a *basement* walkout or a bi-level *basement*.

M.R. 142/2010

2(14) Repealed.

M.R. 4/2008

2(14.1) Sentence 9.10.9.16.(3) is replaced with the following:

3) A *storage garage* that serves only the *dwelling unit* to which it is attached or in which it is built, shall be considered as part of that *dwelling unit* and

a) shall be separated from other *occupancies* by a vertical assembly with a fire resistance rating of not less than 45 min, and

b) where there is an *occupancy* above the *storage garage*, that *occupancy* shall be separated from the *storage garage* by an assembly with a fire resistance rating of not less than 1 h.

M.R. 4/2008

2(15) Sentence 9.10.18.2.(2) is replaced with the following:

2) A fire alarm is not required in a *building* containing not more than 4 *dwelling units* and no other *occupancy*.

2(15.1) The following subsection is added after subsection 9.10.19.:**9.10.19A. Heat Sensors in Storage Garages****9.10.19A.1. Heat Sensors required in Storage Garages**

1) A fixed temperature heat sensor shall be installed in each *storage garage* that is within, part of or attached to, a *dwelling unit*.

2) A fixed temperature heat sensor required under Sentence (1) shall

- a) be installed on the ceiling of the *storage garage* or, if the *storage garage* has no ceiling, on the bottom of a ceiling joist within the *storage garage*,
- b) be installed by permanent connections to an electrical circuit and have no disconnect switch between the overcurrent device and sensor, and
- c) be wired so that the activation of the sensor will cause all *smoke alarms* required to be within the *dwelling unit* under Articles 9.10.19.1. and 9.10.19.2. to sound.

M.R. 4/2008

2(15.2) Clause 9.12.2.2.(7)(c) is replaced with the following:

- c) where the distance from finished ground level to the underside of the joist is not more than 1300 mm and the supports are provided with lateral resistance,

M.R. 4/2008

2(16) The following is added after Subsection 9.14.6.:**9.14.7. Drainage of House Foundation in Fine-grain Soil****9.14.7.1. Exterior of Foundation Walls**

1) Where a drainage connection is to the inside of the *building*, it shall be made by placing a non-perforated pipe through the footing at the exterior of the wall and shall be installed in one continuous length to the sump pit.

9.14.7.2. Drainage

1) Perimeter drain pipe or tile shall drain to a sewer, an approved drainage ditch or a dry well through connections around the *foundation* that are spaced no more than 15 m apart.

9.14.7.3. Connections

- 1) Connections required in Article 9.14.7.2. leading to a sewer, drainage ditch or dry well shall
 - a) be made of a straight, non-porous drain pipe in a continuous length for the exterior of the footing leading to a catch basin or sump, and
 - b) have a minimum fall of 1 in 50.

9.14.7.4. Perforated Pipe

- 1) Perforated pipe shall be laid with the perforations down.
- 2) Perforated pipe may be connected with couplings.

M.R. 4/2008

2(17) Sentence 9.15.1.1.(1) is replaced with the following:

- 1) This section applies to *foundations* designed and constructed for a single-family dwelling, a two-family dwelling or row housing. (See Section 9.35. for small garages and carports, and Part 4 for other *buildings*.)

2(18) The following is added after Article 9.15.2.4.:**9.15.2.5. Design Requirements**

- 1) Footings, *foundations*, *foundation* walls or *basement* walls shall conform to Table 9.15.2.5. and this section.

**Table 9.15.2.5.
Footings, Foundations, Foundation Walls and Basement Walls
Forming Part of Sentence 9.15.2.5.(1)**

Type of Soil	Type of Construction Materials	Design Requirements	
		Footings and Foundations	Foundation Walls and Basement Walls
Coarse Grain ⁽¹⁾ (e.g. sand, gravel, cobbles, boulders)	Concrete	Table 9.15.3.4	Table 9.15.4.2.A. Table 9.15.4.2.B.
	Masonry	Not Permitted	Table 9.15.4.2.A. Table 9.15.4.2.B.
	Precast Concrete, Steel	Section 4.2.	Section 4.3.
	Wood	Article 9.15.2.4.	Article 9.15.2.4.
Fine Grain (e.g. clays, silt, shale)	Concrete (cast in place)	Fig. 9.15.2.5.A. Laterally supported walls – One Storey Fig. 9.15.2.5.B. Laterally supported walls – Two Storey Fig. 9.15.2.5.C. Laterally unsupported walls Fig. 9.15.2.5.D. Piers @ 2.5 metres O.C. Maximum Fig. 9.15.2.5.E. Piers @ 3 metres O.C. Maximum Fig. 9.15.2.5.F. Attached garage <i>foundation</i>	
	Masonry	Not permitted	Appropriate Section of Part 4 of this Code ⁽²⁾
	All other materials	Section 4.2. of Part 4 of this Code	
Organic (muskeg, top soil) filled ground	All materials	Designed by a <i>professional engineer</i>	
Permafrost (known or suspected areas)	All materials		

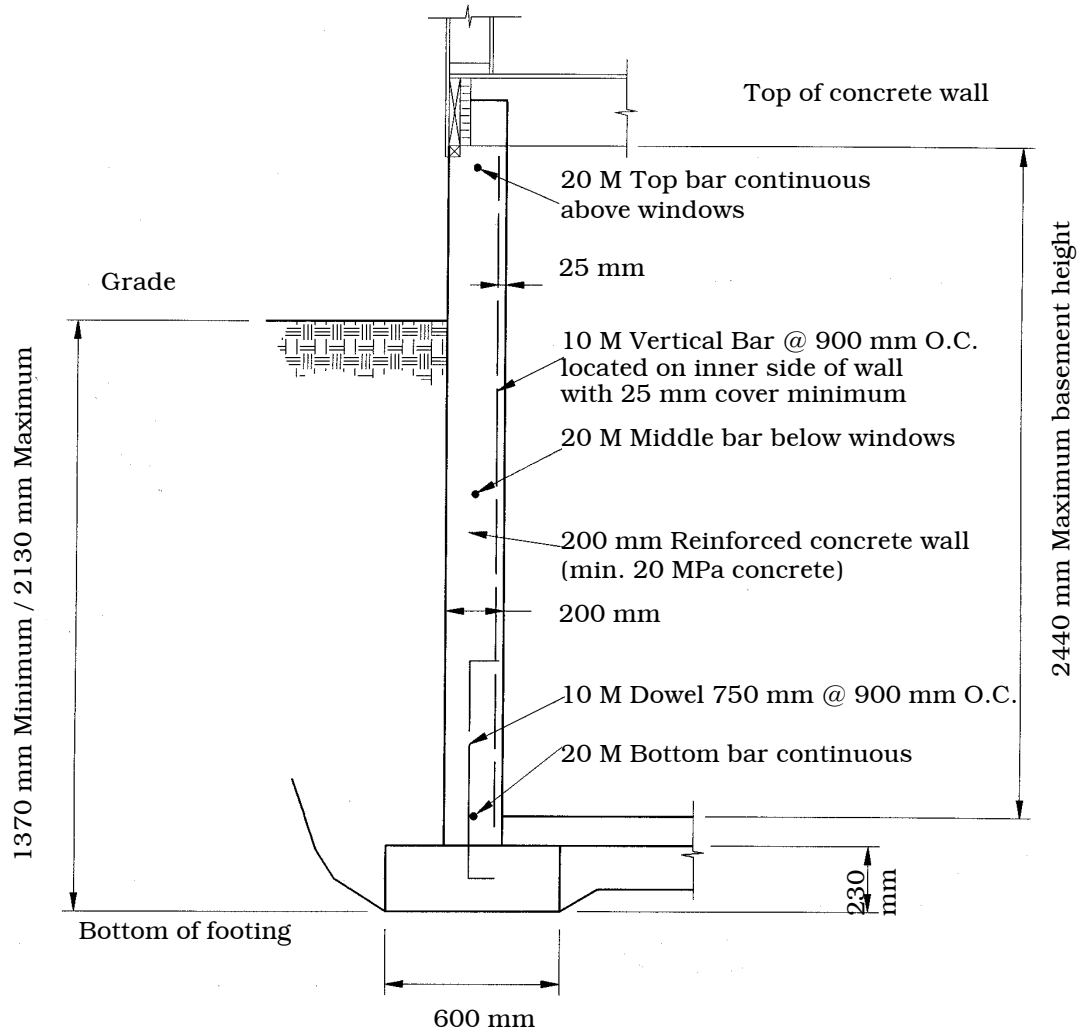
Notes to Table 9.15.2.5.

¹ Soils with an allowable bearing of 75 kPa or greater.

² Installation of *foundation* walls, other than case-in-place concrete in regions with fine grain soils, subject to approval of the *authority having jurisdiction*.

Figure 9.15.2.5.A.
Forming part of subsection 9.15.2.5.(1)

MINIMUM REINFORCEMENT FOR
LATERALLY SUPPORTED FOUNDATION WALLS
Up to 12 metres in length and in fine-grain soils



ONE STOREY

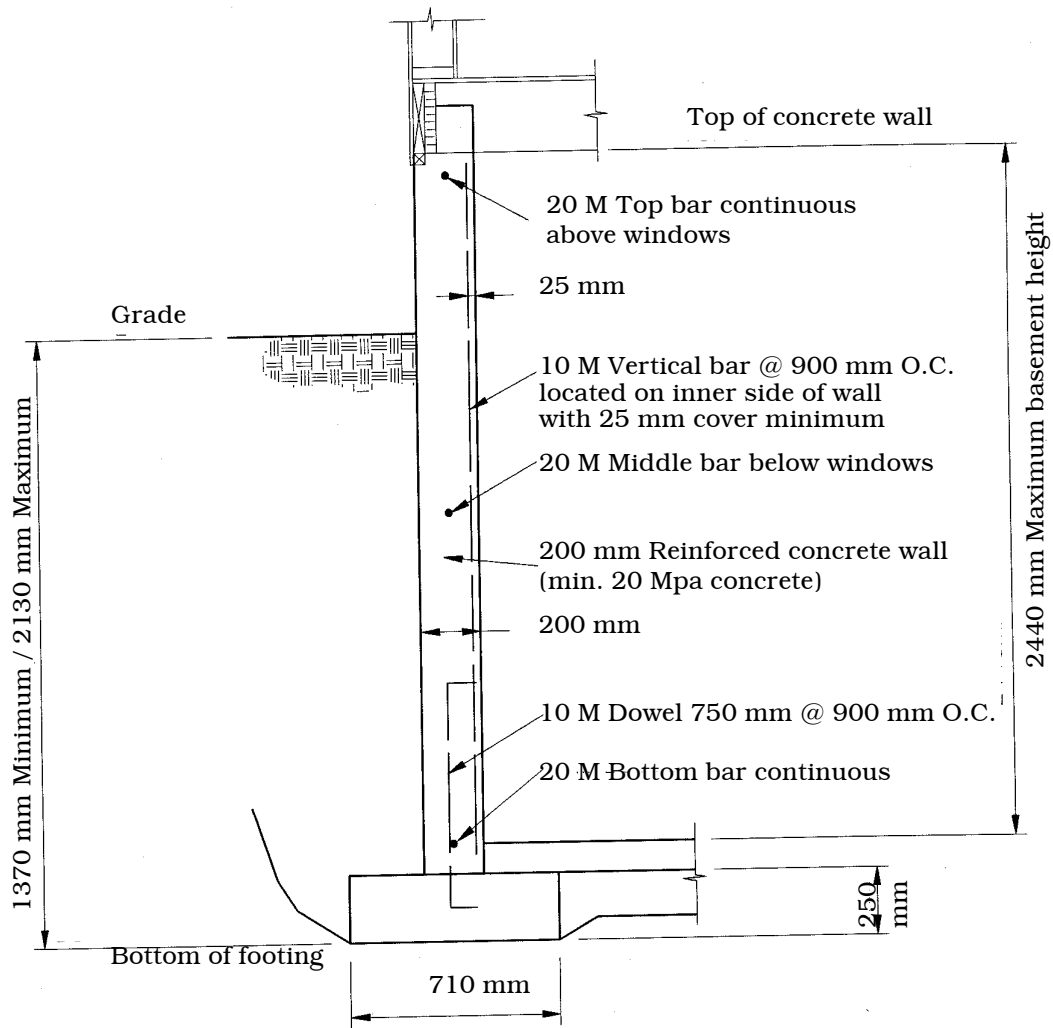
NOTES:

- 1) Walls over 12 metres in length shall be designed by a *professional engineer*.
- 2) Minimum interior column footing size 750 mm × 750 mm × 250 mm.
- 3) "M" means Metric bar.

Figure 9.15.2.5.B.
Forming part of subsection 9.15.2.5.(1)

MINIMUM REINFORCEMENT FOR
LATERALLY SUPPORTED FOUNDATION WALLS

Up to 12 metres in length and in fine-grain soils



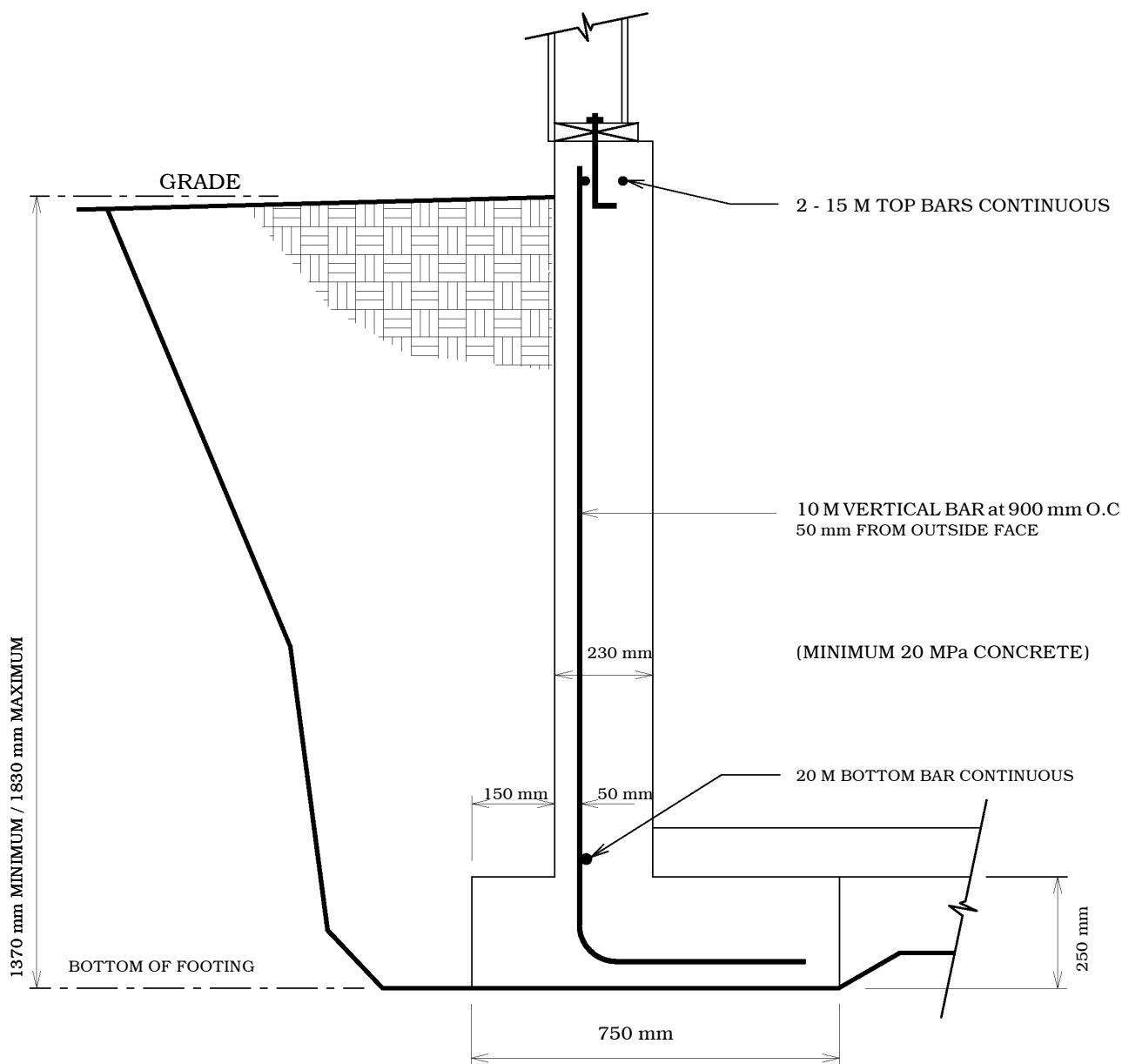
TWO STOREY

NOTES:

- 1) Walls over 12 metres in length shall be designed by a *professional engineer*.
- 2) Minimum interior column footing size 900 mm × 900 mm × 300 mm.
- 3) "M" means Metric bar.

Figure 9.15.2.5.C.
Forming part of subsection 9.15.2.5(1)

MINIMUM REINFORCEMENT FOR
LATERALLY UNSUPPORTED FOUNDATION WALLS
UP TO 12 METRES IN LENGTH AND IN FINE-GRAINED SOILS

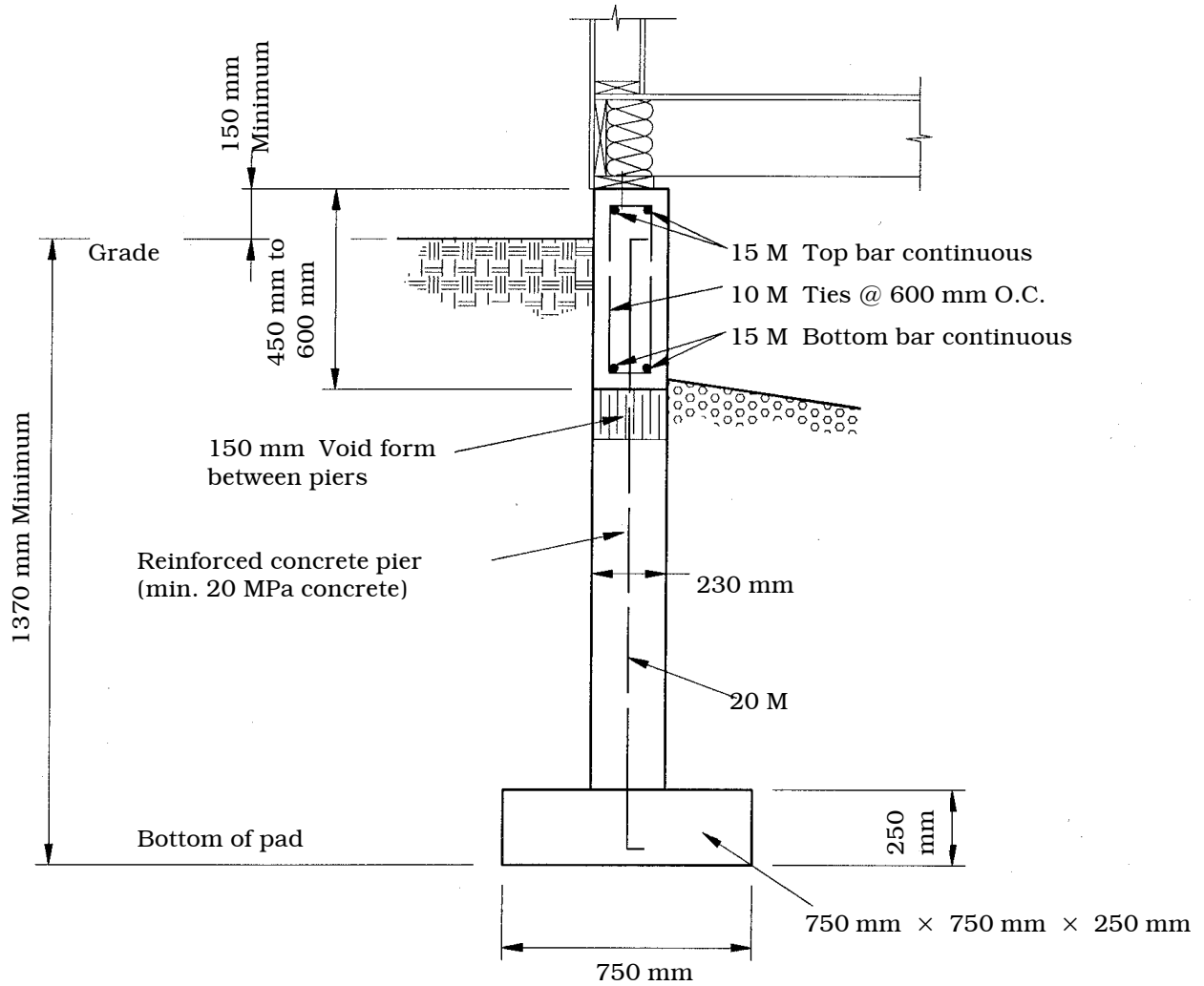


NOTES :

- 1) walls over 12 metres in length shall be designed by a *professional engineer*.
- 2) "M" means Metric bar

Figure 9.15.2.5.D.
Forming part of subsection 9.15.2.5.(1)

MINIMUM REINFORCEMENT FOR
PIERS AND PERIMETER GRADE BEAMS IN FINE-GRAIN SOILS
FOR ONE STOREY FRAME DWELLINGS



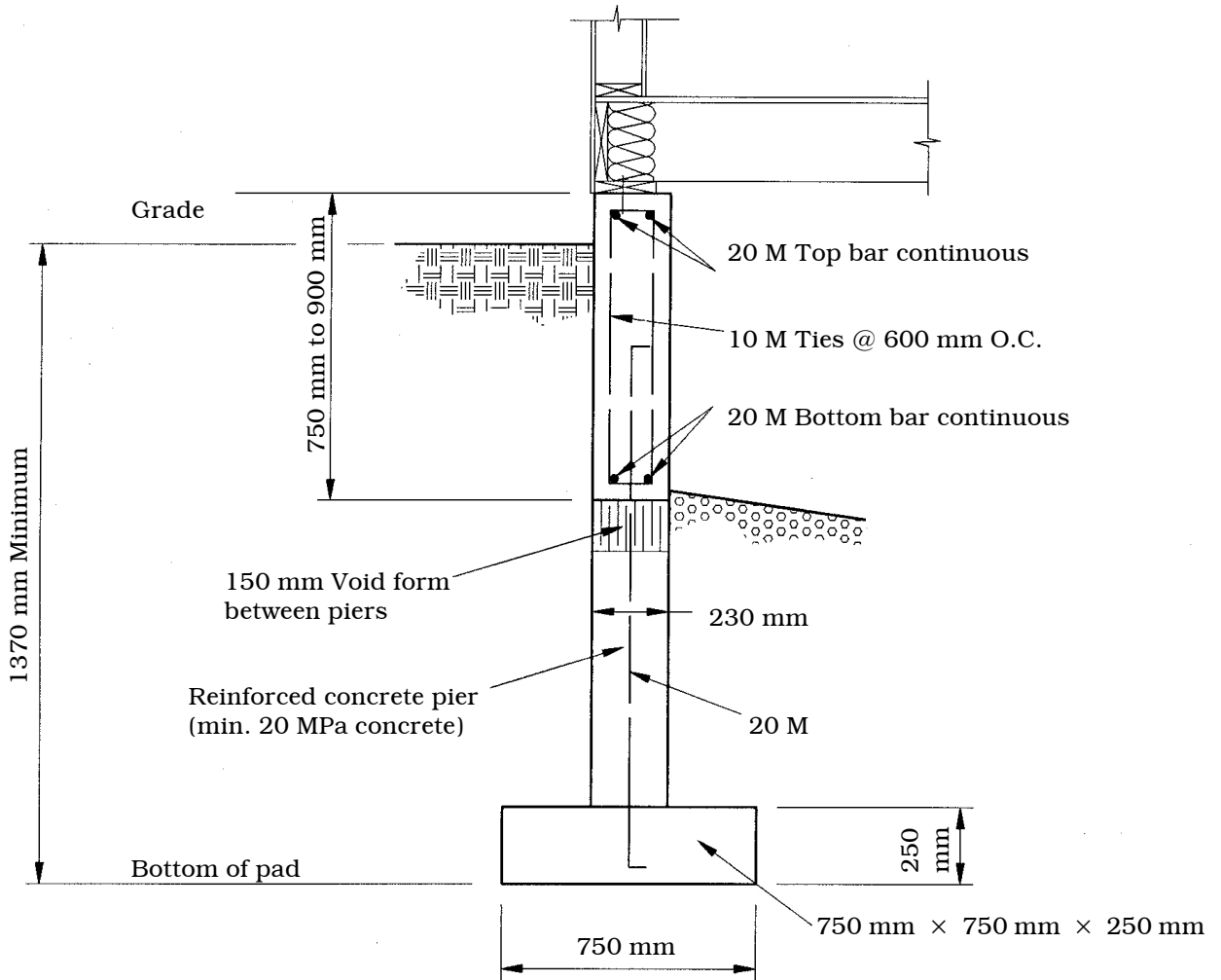
PIERS @ 2.5 metres O.C. MAXIMUM

NOTES:

- 1) Maximum supported joist length of 2.44 metres.
- 2) "M" means Metric bar.

Figure 9.15.2.5.E.
Forming part of subsection 9.15.2.5.(1)

MINIMUM REINFORCEMENT FOR
PIERS AND PERIMETER GRADE BEAMS IN FINE-GRAIN SOILS
FOR ONE STOREY FRAME DWELLINGS



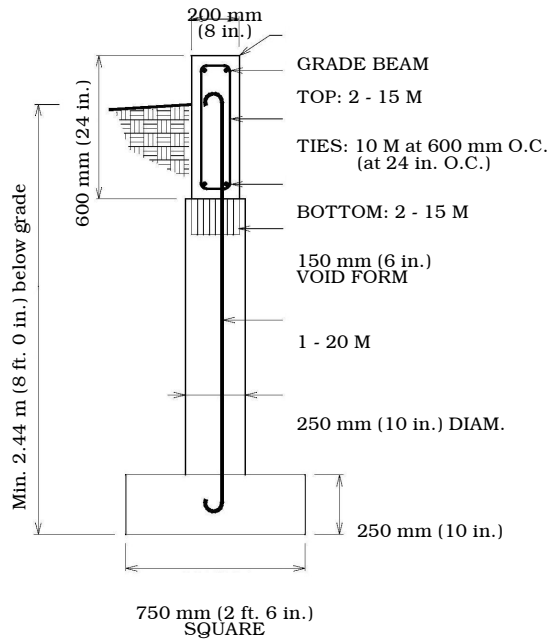
PIERS @ 3.0 metres O.C. MAXIMUM

NOTES:

- 1) Maximum supported joist length of 3.05 metres.
- 2) "M" means Metric bar.

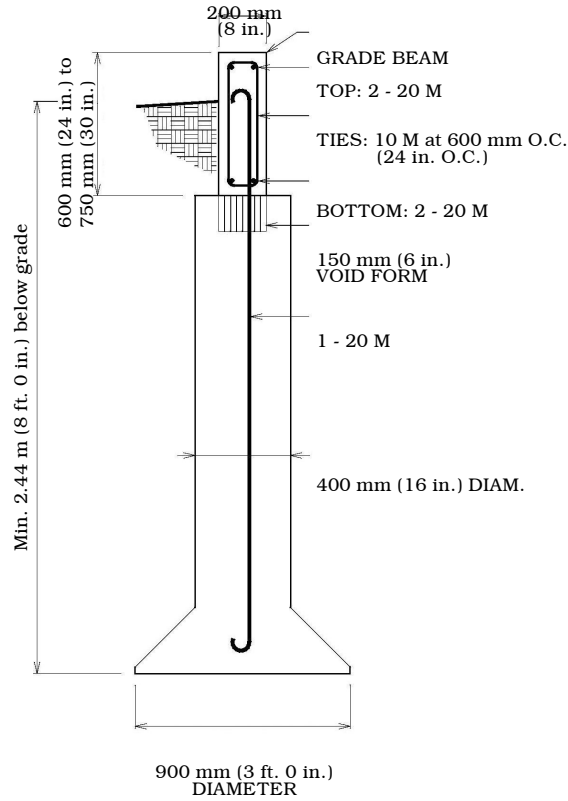
Figure 9.15.2.5.F.
Forming part of subsection 9.15.2.5.(1)

MINIMUM REINFORCEMENT FOR
ONE STOREY ATTACHED GARAGE GRADE BEAMS
IN FINE-GRAINED SOILS



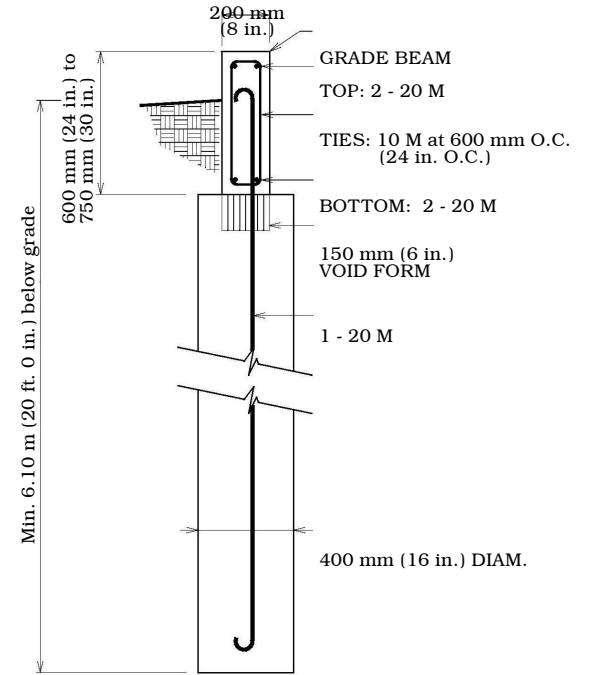
PIER and PAD

Maximum spacing: 2.44 m O.C. (8 ft. 0 in. O.C.)



BELLED PILE

Maximum spacing: 3.66 m O.C. (12 ft. 0 in. O.C.)



FRICTION PILE

Maximum spacing: 3.66 m O.C. (12 ft. 0 in. O.C.)

M.R. 4/2008

2(19) **Sentence 9.16.3.1.(1) is amended by adding "(See Appendix A.)" at the end.**

2(20) **The following is added after Subsection 9.25.4.:**

9.25.5. Areas to be Insulated

9.25.5.1. General

1) This Subsection applies to the design, construction and *occupancy* of

a) a new *building*, or a heated *addition* to an existing *building*, of 3 *storeys* or less in *building height* that has a *building area* not exceeding 600 m² and that contains only *dwelling units*, related ancillary *service rooms*, shared *means of egress* or garages serving the units, and

b) a new *building*, or a heated *addition* to an existing *building*, that is used for residential *occupancy* and that contains only one dwelling unit.

2) The requirements of this Subsection also apply to those components of a *building* which separate a *dwelling unit* from an adjoining *storage garage*, whether the garage is heated or unheated.

3) Nominal thermal resistance values shall be used when determining conformance with Table 9.25.5.2., and the effects of sheathing, finishing materials, air films and thermal bridging of framing members shall be disregarded.

9.25.5.2. Thermal Resistance Value

1) Except as provided in Sentence (2), the thermal resistance of the *building envelope* shall conform to Table 9.25.5.2.

2) Repealed, M.R. 142/2010.

Table 9.25.5.2.
Minimum Thermal Resistance for the Building Envelope
Forming Part of Article 9.25.5.2.

Building Assembly	Southern Manitoba⁽¹⁾	Northern Manitoba⁽²⁾
Interior and Exterior Foundation Walls ^{(3) (4)}	RSI-3.5 (R-20) or RSI-2.1 (R-12) on the inside wall with RSI-0.88 (R-5) on the outside wall	RSI-3.5 (R-20) or RSI-2.1 (R-12) on the inside wall with RSI-0.88 (R-5) on the outside wall
Floors on Heated Ground	RSI-0.88 (R-5) Full Area	RSI-0.88 (R-5) Full Area
Floors on Unheated Ground (less than 0.6 m below <i>grade</i>)	RSI-0.88(R-5) 1 m Perimeter	RSI-0.88(R-5) 1 m Perimeter
Floors on Unheated Ground (0.6m or more below <i>grade</i>)	No Requirement	No Requirement
Floors Above Unheated Spaces	RSI-4.0 (R-28)	RSI-4.0 (R-28)
Walls Above <i>Grade</i>	RSI-3.5 (R-20)	RSI-4.6 (R-26)
Roofs (<i>Attics</i>)	RSI-8.8 (R-50)	RSI-8.8 (R-50)
Roofs (Sloped Ceilings)	RSI-4.9 (R-28)	RSI-4.9 (R-28)

Notes to Table 9.25.5.2.:

¹ South of the 53rd Parallel.

² On or north of the 53rd Parallel.

³ See Sentence 9.25.5.3.(1) for minimum depth of insulation below *grade*.

⁴ See Sentence 9.25.5.4.(1) for foundation walls that extend more than 1.2 m above ground level.

9.25.5.3. Building Assemblies in Contact with the Ground

1) *Foundation* walls required to be insulated shall have their insulation placed from the underside of the subfloor to a minimum of 2.4 m below *grade* or to the base of the *foundation* wall, whichever is less.

2) Floors in contact with the ground that are required to be insulated shall have insulation placed

- a) for an unheated floor less than 0.6 m below *grade*, on the top or bottom surface of the floor for a distance of not less than 1 m from the floor's perimeter, or
- b) for a floor that has heating equipment incorporated in it, under the full bottom surface of the floor.

9.25.5.4. Building Assemblies Above Ground

1) Where the top of the *foundation* wall is more than 1.2 m above *grade*, the portions of a *foundation* wall that are above *grade* shall be insulated to the insulation level required for exterior walls in Table 9.25.5.2.

2) For attic-type roofs and to the extent made necessary by the roof slope and ventilation clearances, the thermal resistance near the eaves may be less than required by Table 9.25.5.2, but the minimum thermal resistance at a point directly above the inner surface of the exterior wall shall be a minimum of RSI 3.5.

3) An access hatch from heated space to unheated space, such as an *attic* or crawl space, shall be insulated to a level equivalent to that required for the component forming part of the *building envelope* in which it is installed.

9.25.5.5. Equipment Efficiency for Buildings — Residential Occupancy

1) The minimum annual fuel utilization efficiency of a *furnace* serving a *building* referred to in Sentence 9.25.5.1.(1) shall

- a) be determined in accordance with CAN/CSA-P.2, "Testing Method for Measuring the Annual Fuel Utilization Efficiency of Residential Gas-Fired Furnaces and Boilers", and
- b) conform to Table 9.25.5.5.

Table 9.25.5.5.

Furnace Fuel Source	Minimum Annual Fuel Utilization Efficiency
Natural Gas	94%
Propane	94%

9.25.5.6. Gas-Fuelled Fireplaces

1) Gas-fuelled fireplaces installed in a *building* referred to in Sentence 9.25.5.1.(1) shall be

- a) ignited by an electronic ignition instead of a standing pilot light,
- b) *direct-vented* without the use of a *chimney*, and
- c) exhausted a minimum of 2,000 mm from any source of air intake into the *building*.

M.R. 4/2008; 142/2010

2(21) The following is added after Subsection 9.28.6.:

9.28.7. Stucco Application for Single-Family, Two-Family and Row Housing

9.28.7.1. Two Coat Application for Single-Family, Two-Family and Row Housing

1) Despite Subsection 9.28.6, this Subsection applies to single-family dwellings, two-family dwellings and row housing.

9.28.7.2. Low Temperature Conditions

1) The base for stucco shall be maintained above freezing.

2) Stucco shall be maintained at a temperature of not less than 4°C during application and for not less than 48 h afterwards.

9.28.7.3. Number of Coats and Total Thickness

1) Stucco shall be applied with at least one base coat and one finish coat, providing a total thickness of not less than 15 mm, measured from the face of the wall sheathing paper or the face of the masonry where no lath is used.

9.28.7.4. First Coat

1) The first coat shall be not less than 9 mm thick, measured from the face of the wall sheathing paper or masonry, fully embedding the lath.

2) The surface of the first coat shall be scored to provide a key with the finish coat.

9.28.7.5. Finish Coat

1) The finish coat shall consist of 2 applications, the finish base coat and the texture finish.

2) The thickness of the finish base coat shall not be less than 3 mm.

3) The thickness of the final texture finish coat shall be not less than 3 mm.

2(21.1) Article 9.32.3.12. is replaced with the following:

9.32.3.12. Heat Recovery Ventilators

1) A heat recovery ventilator with a minimum sensible recovery efficiency of 60% at 0°C, and 62% at -25°C, shall be installed in every *building* referred to in Sentence 9.25.5.1.(1), except a seasonal dwelling.

2) Heat recovery ventilators shall be designed in accordance with CAN/CSA-F326-M91, "Residential Mechanical Ventilation Systems".

- 3) Heat recovery ventilators shall be installed in accordance with
 - a) CAN/CSA-F326-M91, "Residential Mechanical Ventilation Systems", and
 - b) the manufacturer's instructions or instructions specified by the *designer*.

M.R. 142/2010

2(22) The following is added after Part 9:

Part 10 Special Construction Standards

Section 10.1. Private Pools

10.1.1. Scope

10.1.1.1. Scope

- 1) This Part applies to *private pools*.
- 2) Pools other than *private pools* shall conform to the requirements under *The Public Health Act* and regulations under that Act.

10.1.2. Fences and Access

10.1.2.1. Enclosures

- 1) An outdoor *private pool* shall be enclosed with a fence or other suitable barrier constructed in accordance with the following requirements:
 - a) a minimum height of 1.5 m,
 - b) there shall be no openings, other than a door to a *building* or a gate as described in Clause (c), and it shall not be possible for a child to crawl under either the fence or the gate,
 - c) any gate shall be self-closing, shall be at least 1.5 m in height and shall be equipped with a lockable latch to prevent unauthorized entry,
 - d) where a chain link fence is used, the outside surface of the fence or gate shall be at least No. 11 gauge,
 - e) where other than a chain link fence is used, the outside surface of the fence or gate shall be relatively smooth so as not to provide foot or toe holds, and
 - f) if, in the opinion of the *authority having jurisdiction*, there is any undesirable feature pertaining to the enclosure, suitable steps shall be taken to correct the situation.

10.1.2.2. Maintenance

1) The enclosure surrounding an outdoor *private pool* shall be maintained in good repair.

10.1.2.3. Hot Tub Covers

1) Articles 10.1.2.1. and 10.1.2.2. do not apply to a hot tub installed outdoors at a single-family dwelling where

- a) the hot tub does not exceed 2.4 m in diameter or 4.65 m² in total surface area,
- b) the hot tub has a cover that
 - i) has the structural strength to support the weight of an adult walking across the top of the cover when it is in the closed position,
 - ii) is capable of being locked in the covered position to prevent access to the water by unauthorized persons, and
- c) at all times when use is not supervised by an adult, the hot tub is covered by a cover that
 - i) complies with clause (b), and
 - ii) is locked.

10.1.3. Electrical Wiring**10.1.3.1. General Electrical Requirements**

- 1) All electrical installations shall comply with the *Manitoba Electrical Code*.
- 2) All metallic parts of a *private pool*, including reinforcing steel, shall be electrically grounded in accordance with the requirements of the *Manitoba Electrical Code*.

10.1.3.2. Overhead Wiring

1) No overhead wiring shall be situated above a *private pool* — including associated structures such as a diving structure, observation stand, tower or platform — or above the area extending 3 m horizontally from the pool edge, and no *private pool* or associated structure shall be placed within 3 m, measured horizontally from the pool edge, of an existing overhead wire.

2) The following overhead wiring may be situated within the area otherwise prohibited by sentence 1 if, in the opinion of the *authority having jurisdiction*, it is impractical to comply with that sentence:

- a) insulated communication conductors and neutral supported cables operating at 600V, providing there is a clearance of at least 4.5 m (measured radially) from the overhead wiring,

- b) conductors operating at not more than 50kV phase-to-phase, providing there is a clearance of at least 7.5 m (measured radially) from the overhead wiring.

10.1.3.3. Underground Wiring

1) No *private pool* shall be placed within 1.5 m of an underground electrical conductor, including a communication conductor, and no underground electrical conductor, including a communication conductor, shall be placed within 1.5 m of the inside walls of the *private pool*.

2) Sentence 1 does not apply to

- a) bonding conductors, and
- b) conductors supplying electrical equipment associated with the pool, that are protected by a ground fault circuit interrupter.

10.1.4. Plumbing Requirements

10.1.4.1. Backflow Prevention

1) The water in a *private pool* and its recirculation system shall be separated from the make-up water supply and from the sewer or drainage system by air gaps or other backflow-preventors.

10.1.4.2. Water Disposal

1) Pool waste-water shall be disposed of into a sanitary sewer system, directly into a storm sewer or be contained within the confines of the owner's property.

10.1.5. Structural Requirements

10.1.5.1. Design

1) The structural design of a *private pool* that is an in-ground swimming pool must bear the seal of a *professional engineer* competent in the structural designing of in-ground swimming pools.

M.R. 4/2008

3(1) Division C is amended by this section.

3(2) The following is added after Article 2.2.2.2.:

2.2.2.3. Designers Required

1) Plans, drawings and related documents submitted with an application to build a *building* covered under Article 1.3.3.2. of Division A must be prepared, signed and sealed by an *architect*, a *professional engineer* or both, as determined in accordance with Table 2.2.2.3.

**Table 2.2.2.3.
Professional Designers Required
Forming Part of Sentence 2.2.2.3.(1)**

Building Classification	Designers Required*
Group A: Assembly Occupancies (except for Group A, Division 3: Arenas with a fixed seating capacity of 1,000 people or less)	<i>Architect and Professional Engineer</i>
Group A, Division 3: Arenas <i>Building with a fixed seating capacity of 1,000 people or less</i>	<i>Architect or Professional Engineer</i>
Group B: Care or Detention Occupancies	<i>Architect and Professional Engineer</i>
Group C: Residential Occupancies <i>Building exceeding 600 m² in building area or exceeding 3 storeys in building height</i>	<i>Architect and Professional Engineer</i>
Group D: Business and Personal Services Occupancies <i>Building exceeding 600 m² in building area or exceeding 3 storeys in building height</i>	<i>Architect and Professional Engineer</i>
Group E: Mercantile Occupancies <i>Building exceeding 600 m² in building area or exceeding 3 storeys in building height</i>	<i>Architect and Professional Engineer</i>
Group F, Division 1: High Hazard Industrial Occupancies	<i>Architect or Professional Engineer</i>
Group F, Division 2 and Division 3: Medium and Low Hazard Industrial Occupancies <i>Building exceeding 600 m² in building area or exceeding 3 storeys in building height</i>	<i>Architect or Professional Engineer</i>

* The required *designer(s)* must be skilled in the type of work concerned.

2) Where the *authority having jurisdiction* determines that an *alteration* to a *building* covered under Article 1.3.3.2. of Division A will or is likely to significantly affect the integrity of

- a) the fire safety systems, including fire alarms, sprinklers and standpipes,
- b) the life safety systems, including exits, lobbies and public corridors,
- c) the *fire compartments*, including vertical or horizontal *fire separations*,

- d) the structural system,
- e) the environmental separation systems, including the *building envelope*,
- f) the heating, ventilation and air-conditioning systems,
- g) the usable *floor area* through the *addition* of a *mezzanine*, in-fill or other similar element, or
- h) any one or more of the things mentioned in clauses (a) to (g),

the plans, drawings and related documents submitted with the application to make the *alteration* must be prepared, signed and sealed by an *architect*, a *professional engineer* or both, as determined by the *authority having jurisdiction* that relate to the type of work concerned.

3) Where under Sentence 2.2.2.3.(1) or (2) plans, drawings or related documents are to be prepared, signed and sealed by two or more *designers*, each must prepare, sign and seal those plans, drawings and related documents that relate to the type of work in which he or she is skilled.

M.R. 4/2008

3(3) Article 2.2.4.2. is replaced with the following:

2.2.4.2. Seal and Signature of Professional Engineer

1) Structural drawings and related documents submitted with the application to *building* shall be dated and shall bear the authorized professional seal and signature of a *professional engineer* skilled in the work concerned.

3(4) Sentence 2.2.7.2.(1) is replaced with the following:

1) The *designer* or another suitably qualified person responsible to the *designer* shall review construction of any *building* or part thereof to determine conformance of the design.

3(5) Sentence 2.2.7.3.(1) is replaced with the following:

1) The *designer* or another suitably qualified person responsible to the *designer* shall review all shop drawings and other related documents relevant to the design to determine conformance with the design.

3(6) Sentence 2.2.7.4.(1) is replaced with the following:

1) Workmanship, materials and all reports of material tests shall be reviewed by the *designer* or another suitably qualified person responsible to the *designer* during the process of construction.

The Queen's Printer
for the Province of Manitoba

ANNEXE
(article 1)

MODIFICATIONS AU CODE NATIONAL DU BÂTIMENT – CANADA 2005

1(1) Le présent article modifie la division A.

1(2) Le paragraphe 1.1.1.1. 3) est supprimé.

1(2.1) Il est ajouté, après le paragraphe 1.2.1.1. 1), ce qui suit :

1.1) Toute solution de rechange utilisée relativement aux exigences de l'article 9.7.1.4., de la sous-section 9.25.5. et de l'article 9.32.3.12. de la division B doit être conforme à l'alinéa 1)b). La conformité doit être démontrée à l'aide :

- a) soit du logiciel d'analyse énergétique HOT2000 (Ressources naturelles Canada);
- b) soit d'une méthode équivalente à ce logiciel, au moyen des règles de l'art que l'autorité compétente juge acceptables.

R.M. 142/2010

1(3) L'article 1.3.3.1. est remplacé par ce qui suit :

1.3.3.1. Domaine d'application des parties 1, 7, 8 et 10

1) À l'exception des sous-sections 1.3.5. et 1.3.6. de la division A, les parties 1, 7, 8 et 10 de la division B s'appliquent à tous les *bâtiments* visés par le présent code (voir l'article 1.1.1.1.).

1(4) L'article 1.3.3.2. est remplacé par ce qui suit :

1.3.3.2. Domaine d'application des parties 3, 4, 5, 6 et 10

1) Sous réserve des sous-sections 1.3.5. et 1.3.6. de la division A, les parties 3, 4, 5, 6 et 10 de la division B s'appliquent à tous les *bâtiments* mentionnés à l'article 1.1.1.1. :

- a) considérés comme *bâtiments de protection civile*;
- b) abritant des *usages principaux* :
 - i) du groupe A, *établissements de réunions*;
 - ii) du groupe B, *établissement de soins ou de détention*;
 - iii) du groupe F, division 1, *établissements industriels à risques très élevés*; ou

- c) abritant, si l'aire de bâtiment est supérieure à 600 m² ou si la hauteur de bâtiment dépasse 3 étages, des usages principaux :
- i) du groupe C, habitations;
 - ii) du groupe D, établissements d'affaires;
 - iii) du groupe E, établissements commerciaux; ou
 - iv) du groupe F, divisions 2 et 3, établissements industriels à risques moyens et établissements industriels à risques faibles.

1(5) L'article 1.3.3.3. est remplacé par ce qui suit :

1.3.3.3. Domaine d'application des parties 9 et 10

1) Sous réserve des sous-sections 1.3.5. et 1.3.6. de la division A, les parties 9 et 10 de la division B s'appliquent à tous les bâtiments mentionnés à l'article 1.1.1.1. :

- a) d'une hauteur de bâtiment d'au plus 3 étages;
- b) d'une hauteur de bâtiment d'au plus 600 m²; et
- c) abritant des usages principaux :
 - i) du groupe C, habitations (voir la note A-9.1.1.1. 1) de la division B);
 - ii) du groupe D, établissements d'affaires;
 - iii) du groupe E, établissements commerciaux; ou
 - iv) du groupe F, divisions 2 and 3, établissements industriels à risques moyens et établissements industriels à risques faibles.

1(6) Il est ajouté, après la sous-section 1.3.4., ce qui suit :

1.3.5. Utilisation restreinte des bâtiments existants

1.3.5.1. Transformations et réparations

1) Le présent code s'applique aux parties de bâtiments existants qui sont transformées ou réparées. Dans les cas où, de l'avis de l'autorité compétente, la transformation aurait une incidence sur le degré de sécurité du bâtiment existant, des améliorations doivent y être apportées comme l'exige l'autorité compétente.

2) La transformation ou la réparation d'un bâtiment ne doit pas réduire le degré de sécurité des personnes ni le rendement du bâtiment.

1.3.5.2. Rajouts horizontaux

- 1) Il est permis d'apporter des *rajouts* à un *bâtiment* ou à une construction pourvu :
 - a) que le *bâtiment* et le *rajout* soient conformes au présent code; ou
 - b) qu'un *mur coupe-feu* ayant le *degré de résistance au feu* requis sépare le *bâtiment* du *rajout* et qu'un accès acceptable au *rajout* soit prévu pour le service d'incendie.

1.3.5.3. Augmentation du nombre d'étages

- 1) Il est interdit d'augmenter le nombre d'*étages* d'un *bâtiment* existant si le *bâtiment* complet n'est pas conforme au présent code.

1.3.5.4. Déplacement d'un bâtiment

- 1) Le présent code s'applique aux *bâtiments* existants qui sont déplacés en tout ou en partie à un nouvel endroit.

1.3.5.5. Démolition

- 1) Le présent code s'applique aux travaux de démolition en tout ou en partie d'un *bâtiment* ainsi qu'aux travaux effectués sur toute partie non démolie du *bâtiment* afin de corriger une défectuosité.

1.3.5.6. Bâtiments endommagés

- 1) Le présent code et le *Code de prévention des incendies du Manitoba* s'appliquent aux travaux de reconstruction des *bâtiments* existants endommagés par un incendie ou de toute autre façon.

1.3.5.7. Condition dangereuse

- 1) Le présent code et le *Code de prévention des incendies du Manitoba* s'appliquent aux travaux effectués afin de corriger une *condition dangereuse* dans un *bâtiment* ou près de ce dernier.

1.3.5.8. Changement d'usage

- 1) Le présent code s'applique aux *bâtiments* et aux parties de *bâtiments* dont l'*usage principal* est changé.

1.3.6. Exclusions**1.3.6.1. Exclusions du présent code**

- 1) Le présent code ne s'applique pas :
 - a) aux *bâtiments agricoles*;
 - b) aux travaux publics effectués sur une *voie publique*;

- c) aux pylônes ou aux poteaux des compagnies de service public, aux antennes ou pylônes de transmission de signaux de télévision, de radio ou de communication, sauf dans la mesure où ils exercent des charges sur les *bâtiments* auxquels ils sont attachés ou sur lesquels ils sont installés;
- d) aux barrages hydroélectriques ou de régulation des crues ni aux constructions ou à l'équipement et au matériel mécanique ou autre y relatifs dont il n'est pas fait mention dans le présent code; ou
- e) aux *bâtiments* dont l'*aire de bâtiment* n'est pas supérieure à 10 m² et qui, de l'avis de l'*autorité compétente*, ne présente aucun danger.

1(7) Le paragraphe 1.4.1.2. 1) est modifié par adjonction, en ordre alphabétique, des définitions qui suivent :

Architecte (*architect*) : personne autorisée à exercer l'architecture en vertu de la *Loi sur les architectes*.

Code de l'électricité du Manitoba (*Manitoba Electrical Code*) : s'entend :

- a) dans le cas des autres municipalités que la ville de Winnipeg, du *Code de l'électricité du Manitoba*;
- b) dans le cas de la ville de Winnipeg, l'arrêté intitulé « *Winnipeg Electrical By-Law* ».

Enveloppe de bâtiment (*building envelope*) : éléments qui séparent l'espace chauffé de l'espace non chauffé ou qui entrent en contact avec l'air extérieure ou le sol.

Établissement de soins en résidence (*residential care facility*) : *bâtiment* ou partie de *bâtiment* autorisé en vertu de la *Loi sur les services sociaux* et affecté à la prestation de services à au plus dix personnes qui ne sont pas apparentées, qui sont ambulatoires mais qui :

- a) en raison d'une incapacité ou d'une affection, ne peuvent vivre d'une façon autonome; ou
- b) ont provisoirement besoin de surveillance, d'aide ou de conseils.

Ingénieur (*professional engineer*) : *ingénieur* au sens de l'article 1 de la *Loi sur les ingénieurs et les géoscientifiques*.

Piscine privée (*private pool*) : bassin artificiel à parois dont le revêtement est en béton, en fibre de verre, en vinyle ou en un matériau similaire, pouvant contenir plus de 60 cm d'eau et situé sur le terrain d'un logement unifamilial.

Rajout (*addition*) : espace qui est ajouté à un *bâtiment* existant et qui augmente l'*aire du bâtiment* de plus de 10 m².

R.M. 4/2008

1(8) Il est ajouté, après la sous-section 1.5.2., ce qui suit :

1.5.3. Codes provinciaux

1.5.3.1. Code de prévention des incendies

1) Tout renvoi au *Code national de prévention des incendies* est considéré comme un renvoi au *Code de prévention des incendies du Manitoba*.

1.5.3.2. Code de l'électricité

1) Tout renvoi à la norme CSA C22.1, *Code canadien de l'électricité, première partie*, est considéré comme un renvoi au *Code de l'électricité du Manitoba*.

1.5.3.3. Code du bâtiment

1) Tout renvoi au *Code national du bâtiment du Canada* est considéré comme un renvoi au *Code du bâtiment du Manitoba*.

1.5.3.4. Code de la plomberie

1) Tout renvoi au *Code national de la plomberie du Canada* est considéré comme un renvoi au *Code de la plomberie du Manitoba*.

2(1) Le présent article modifie la division B.

2(1.1) Le tableau 1.3.1.2. est modifié :

a) par substitution, aux renvois de l'entrée « CSA CAN/CSA-F326-M91 Ventilation mécanique des habitations », de ce qui suit :

9.32.3.1. 1)
9.32.3.12. 2)
9.32.3.12. 3)a)

b) par adjonction, après l'entrée « CSA O437.0-93 Panneaux de particules orientées et panneaux de grandes particules », de ce qui suit :

CSA	CAN/CSA-P.2	Méthode d'essai pour mesurer le taux d'utilisation annuel de combustible des chaudières et générateurs d'air chaud à gaz résidentiels	9.25.5.5. 1)a)
-----	-------------	---	----------------

R.M. 142/2010

2(2) Le paragraphe 3.2.4.1. 3) est remplacé par ce qui suit :

3) Il n'est pas obligatoire d'installer un système d'alarme incendie dans un *bâtiment* abritant au plus 4 *logements* et aucun autre *usage*.

2(3) Le paragraphe 3.2.4.1. 4) est supprimé.

2(4) Le paragraphe 3.2.4.10. 2) est modifié par suppression de « et » à la fin de l'alinéa e), par adjonction de « et » à la fin de l'alinéa f) et par adjonction, après l'alinéa f), de ce qui suit :

g) dans les pièces qui se trouvent dans les parties d'un *bâtiment* dont l'*usage principal* est du groupe C. (Voir l'article 3.2.4.2. pour les avertisseurs de fumée.)

2(5) L'alinéa 3.4.6.15. 4)g) est remplacé par ce qui suit :

g) que la porte d'*issue* comporte une affiche permanente lisible indiquant que le mécanisme de verrouillage se neutralise en moins de 15 secondes lorsqu'on applique une pression sur le dispositif d'ouverture de la porte;

Les alinéas e), f) et g) ne s'appliquent pas aux *usages* du groupe B, division 2, lorsque la sécurité des patients est compromise par des *moyens d'évacuation* non contrôlés (voir l'annexe A).

2(6) Abrogé.

R.M. 4/2008

2(7) Le paragraphe 3.8.2.3. 2) est modifié par adjonction de « ou » à la fin de l'alinéa a), par suppression de « ou » à la fin de l'alinéa b) et par suppression de l'alinéa c).

2(8) L'alinéa 4.1.5.15. 1)a) est remplacé par ce qui suit :

a) 3.0 kN/m au sommet, pour les *moyens d'évacuation* des tribunes, des stades, des gradins, des arénas et des aires d'observation à ciel ouvert.

R.M. 4/2008

2(8.1) Le paragraphe 4.1.8.4. 6) est remplacé par ce qui suit :

6) Pour l'application du paragraphe 4.1.8.1. 1), la valeur de S(0,2) au Manitoba est réputée être égale à zéro.

R.M. 4/2008

2(9) Le paragraphe 4.2.2.3. 1) est modifié par substitution, à « dûment qualifiée », de « qualifiée dont il a la responsabilité ».

2(10) et (11) Abrogés.

R.M. 4/2008

2(12) Le paragraphe 4.2.5.4. 1) est modifié par adjonction, après « réalisée », de « par un ingénieur ».

2(13) L'article 9.3.1.3. est remplacé par ce qui suit :

9.3.1.3. Béton en contact avec des sulfates

1) Sauf disposition contraire du paragraphe 2), le béton en contact avec un *sol* chargé en sulfates agressifs pour le ciment portland normal doit répondre aux exigences de l'article 16 de la norme CAN3-A23.1, « *Béton – Constituants et exécution des travaux* ».

2) Sauf dans le cas de *fondations profondes*, il n'est pas obligatoire d'utiliser du béton résistant aux sulfates dans les semelles, les poutres au *niveau moyen du sol*, les murs de *fondation* ou les murs de *sous-sol* mentionnés à l'article 9.15.2.5., à moins qu'un *ingénieur* responsable de l'étude de *fondation* ne l'exige.

R.M. 4/2008

2(13.1) L'article 9.6.6.6. est abrogé.

R.M. 142/2010

2(13.2) L'article 9.7.1.4. est remplacé par ce qui suit :

9.7.1.4. Rendement énergétique des fenêtres

1) Les fenêtres séparant un espace chauffé d'un espace non chauffé ou de l'extérieur doivent être munies, au minimum, d'un double vitrage scellé.

2) Les vitrages d'une même fenêtre doivent être séparés d'un espace d'au moins 12,7 mm et d'un intercalaire isolant. Au moins un des vitrages doit posséder une couche énergétique.

3) Les paragraphes 1) et 2) ne s'appliquent pas :

- a) aux fenêtres situées dans une porte, y compris une porte patio ou une porte de jardin;
- b) aux fenêtres latérales adjacentes à une porte;
- c) aux fenêtres de *fondation* qui ne sont pas situées dans un mur d'une sortie de *sous-sol* ou du *sous-sol* d'une maison avec entrée à mi-étage.

R.M. 142/2010

2(14) Abrogé.

R.M. 4/2008

2(14.1) Le paragraphe 9.10.9.16. 3) est remplacé par ce qui suit :

3) Un *garage de stationnement* qui dessert uniquement le *logement* auquel il est incorporé ou contigu en fait partie intégrante et :

- a) doit être isolé des parties de *bâtiment* qui ont un autre *usage* par une construction verticale ayant un *degré de résistance au feu* d'au moins 45 min.;
- b) doit, le cas échéant, être isolé de toute partie de *bâtiment* qui a un autre *usage* et qui est située au-dessus de lui par une construction ayant un *degré de résistance au feu* d'au moins 1 h.

R.M. 4/2008

2(15) Le paragraphe 9.10.18.2. 2) est remplacé par ce qui suit :

2) Il n'est pas obligatoire d'installer un système d'alarme incendie dans un *bâtiment* abritant au plus 4 *logements* et aucun autre *usage*.

2(15.1) Il est ajouté, après l'article 9.10.19., ce qui suit :**9.10.19A. Détecteurs thermiques dans les garages de stationnement****9.10.19A.1. Détecteurs thermiques exigés dans les garages de stationnement**

1) Un détecteur thermique à fonctionnement thermostatique doit être installé dans chaque *garage de stationnement* incorporé ou contigu à un *logement*.

2) Le détecteur thermique visé au paragraphe (1) doit :

- a) être installé sur le plafond du *garage de stationnement* ou, en l'absence de plafond, sur la partie inférieure d'une solive de plafond du *garage de stationnement*;
- b) être raccordé de façon permanente à un circuit électrique, aucun dispositif de sectionnement ne pouvant se trouver entre lui et le dispositif de protection contre les surintensités;
- c) être relié électriquement de façon à déclencher tous les *avertisseurs de fumée* devant être installés dans le *logement* conformément aux articles 9.10.19.1. et 9.10.19.2. dès qu'il est déclenché.

R.M. 4/2008

2(15.2) L'alinéa 9.12.2.2. 7)c) est remplacé par ce qui suit :

- c) dont la distance entre le sol fini et le dessous des solives de plancher ne dépasse pas 1300 mm, pour autant que les supports soient munis de dispositifs assurant la résistance latérale;

R.M. 4/2008

2(16) Il est ajouté, après la sous-section 9.14.6., ce qui suit :

9.14.7. Drainage des fondations de maisons dans un sol à texture fine

9.14.7.1. Murs de fondation extérieurs

1) Le raccordement d'un système de drainage à l'intérieur d'un *bâtiment* se fait en installant un tuyau continu non perforé à travers la semelle depuis l'extérieur du mur jusqu'au puisard.

9.14.7.2. Drainage

1) Le drain périphérique doit évacuer l'eau vers un égout, un fossé de drainage approuvé ou un puits perdu au moyen d'embranchements séparés d'au plus 15 m autour des *fondations*.

9.14.7.3. Embranchements

1) Les embranchements prévus à l'article 9.14.7.2. qui évacuent l'eau vers un égout, un fossé de drainage ou un puits perdu doivent :

- a) être constitués d'un tuyau droit non poreux et être d'une seule pièce commençant à l'extérieur de la semelle et aboutissant à un puisard;
- b) avoir une pente minimale de 1 sur 50.

9.14.7.4. Tuyau perforé

1) Le tuyau perforé est posé avec les perforations orientées vers le bas.

2) Les tuyaux perforés peuvent être raccordés au moyen de manchons d'accouplement.

R.M. 4/2008

2(17) Le paragraphe 9.15.1.1. 1) est remplacé par ce qui suit :

1) La présente section s'applique aux *fondations* conçues et construites pour des logements unifamiliaux, bifamiliaux ou en rangée. (Voir la section 9.35 pour les petits garages et les petits abris d'automobile, et la partie 4 pour les autres *bâtiments*.)

2(18) Il est ajouté, après l'article 9.15.2.4., ce qui suit :

9.15.2.5. Critères de conception

1) Les semelles, les *fondations* et les murs de *fondation* ou de *sous-sol* doivent être conçus conformément au tableau 9.15.2.5 et à la présente section.

**Tableau 9.15.2.5.
Semelles, fondations et murs de fondation ou de sous-sol
faisant partie intégrante du paragraphe 9.15.2.5. 1)**

Type de sol	Type de matériaux de construction	Critères de conception	
		Semelles et fondations	Murs de fondation et de sous-sol
Sol à gros éléments ¹ (ex. : sable, gravier, pierres des champs, roches)	Béton	Tableau 9.15.3.4.	Tableau 9.15.4.2.A. Tableau 9.15.4.2.B.
	Maçonnerie	Interdite	Tableau 9.15.4.2.A. Tableau 9.15.4.2.B.
	Béton préfabriqué, acier	Section 4.2.	Section 4.3.
	Bois	Article 9.15.2.4.	Article 9.15.2.4.
Sol à texture fine (ex : argiles, limon, shale)	Béton (coulé sur place)	Fig. 9.15.2.5.A. Murs à appui latéral – un <i>étage</i> Fig. 9.15.2.5.B. Murs à appui latéral – deux <i>étages</i> Fig. 9.15.2.5.C. Murs sans appui latéral Fig. 9.15.2.5.D. Dés @ 2,5 mètres c. à c. maximum Fig. 9.15.2.5.E. Dés @ 3 mètres c. à c. maximum Fig. 9.15.2.5.F. Fondations d'un garage attenant	
	Maçonnerie	Interdite	Section pertinente de la partie 4 du présent code ²
	Tous les matériaux	Section 4.2. de la partie 4 du présent code	
Sol rempli de matières organiques (ex. : terre végétale de musked)	Tous les matériaux	Conçu par un <i>ingénieur</i>	
Pergélisol (zones connues ou présumées)	Tous les matériaux		

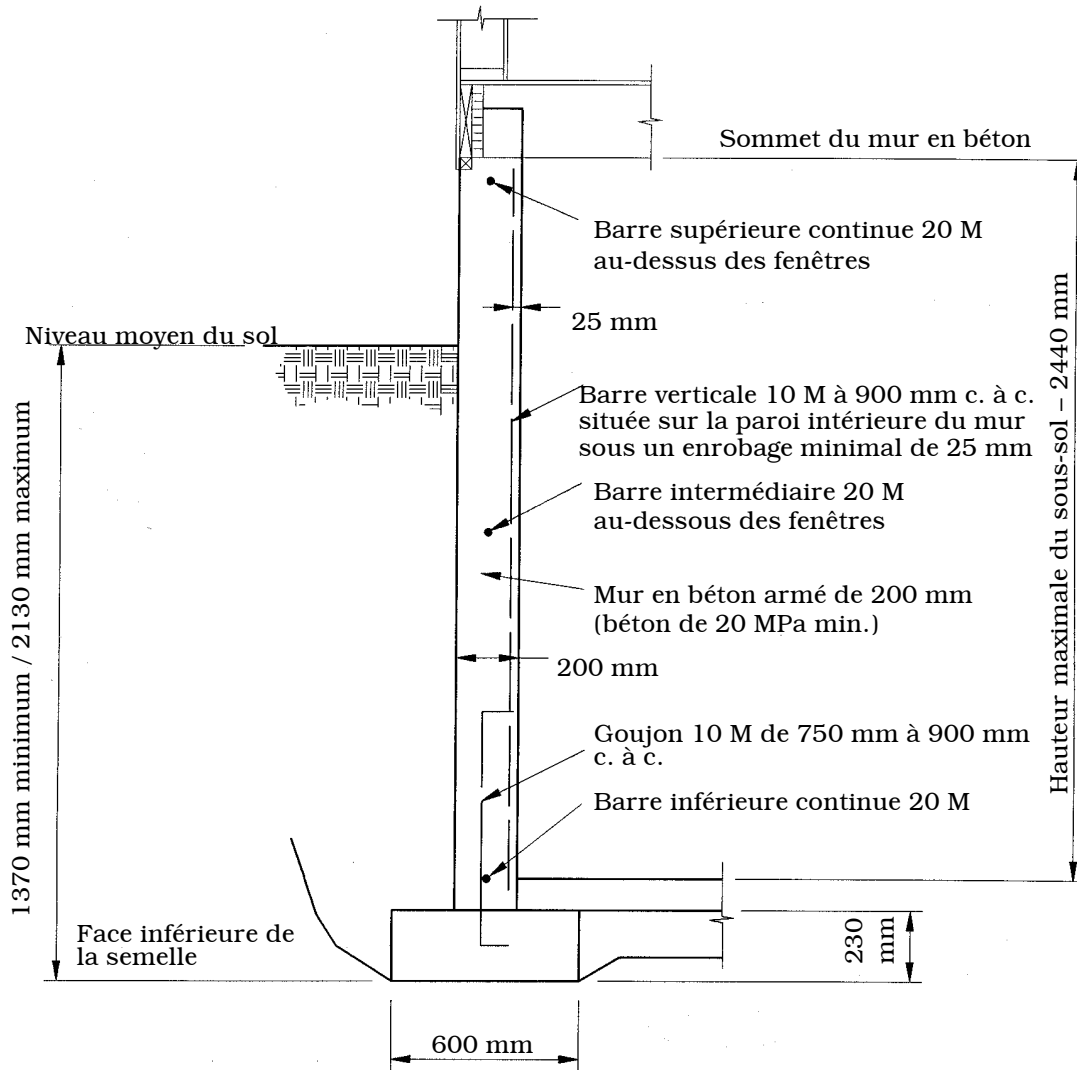
¹ Sols ayant une pression admissible minimale de 75 kPa.

² Dans les régions dont le sol est à texture fine, l'installation des murs de *fondation*, à l'exception des murs en béton coulé sur place, doit être approuvée par l'*autorité compétente*.

Figure 9.15.2.5.A.
 faisant partie intégrante de la sous-section 9.15.2.5. 1)

CONSOLIDATION MINIMALE DES
 MURS DE FONDATION AVEC APPUI LATÉRAL

Jusqu'à 12 mètres de long dans un sol à texture fine



UN ÉTAGE

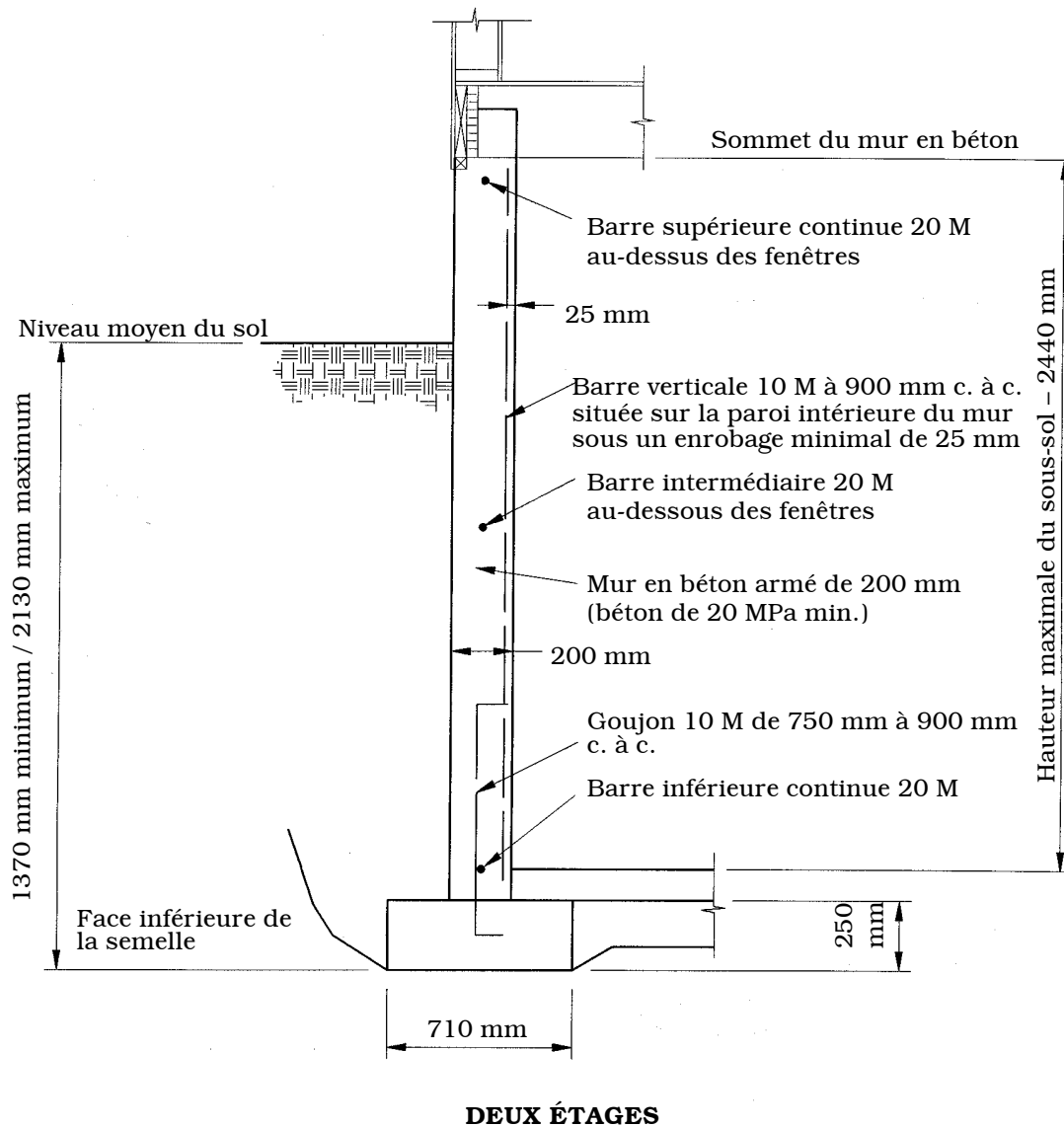
NOTES :

- 1) Les murs de plus de 12 mètres de long doivent être conçus par un *ingénieur*.
- 2) Dimensions minimales des semelles de poteau intérieures – 750 mm x 750 mm x 250 mm.
- 3) « M » désigne une barre métrique.

Figure 9.15.2.5.B.
faisant partie intégrante de la sous-section 9.15.2.5. 1)

CONSOLIDATION MINIMALE DES
MURS DE FONDATION AVEC APPUI LATÉRAL

Jusqu'à 12 mètres de long dans un sol à texture fine

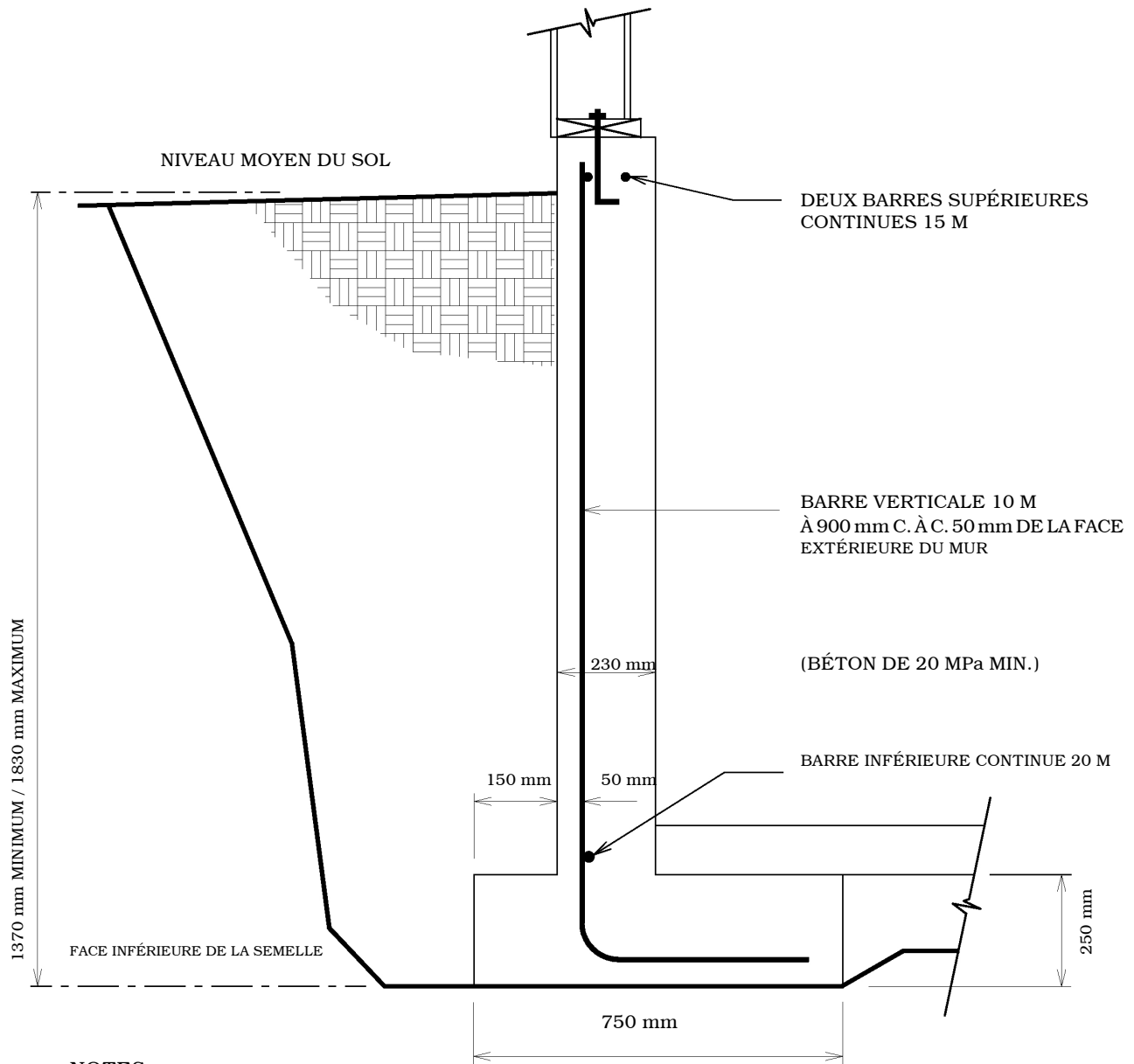


NOTES :

- 1) Les murs de plus de 12 mètres de long doivent être conçus par un *ingénieur*.
- 2) Dimensions minimales des semelles de poteau intérieures - 900 mm x 900 mm x 300 mm.
- 3) « M » désigne une barre métrique.

Figure 9.15.2.5.C.
 faisant partie intégrante de la sous-section 9.15.2.5.1)

CONSOLIDATION MINIMALE DES
 MURS DE FONDATION SANS APPUI LATÉRAL
 JUSQU'À 12 MÈTRES DE LONG DANS UN SOL À TEXTURE FINE

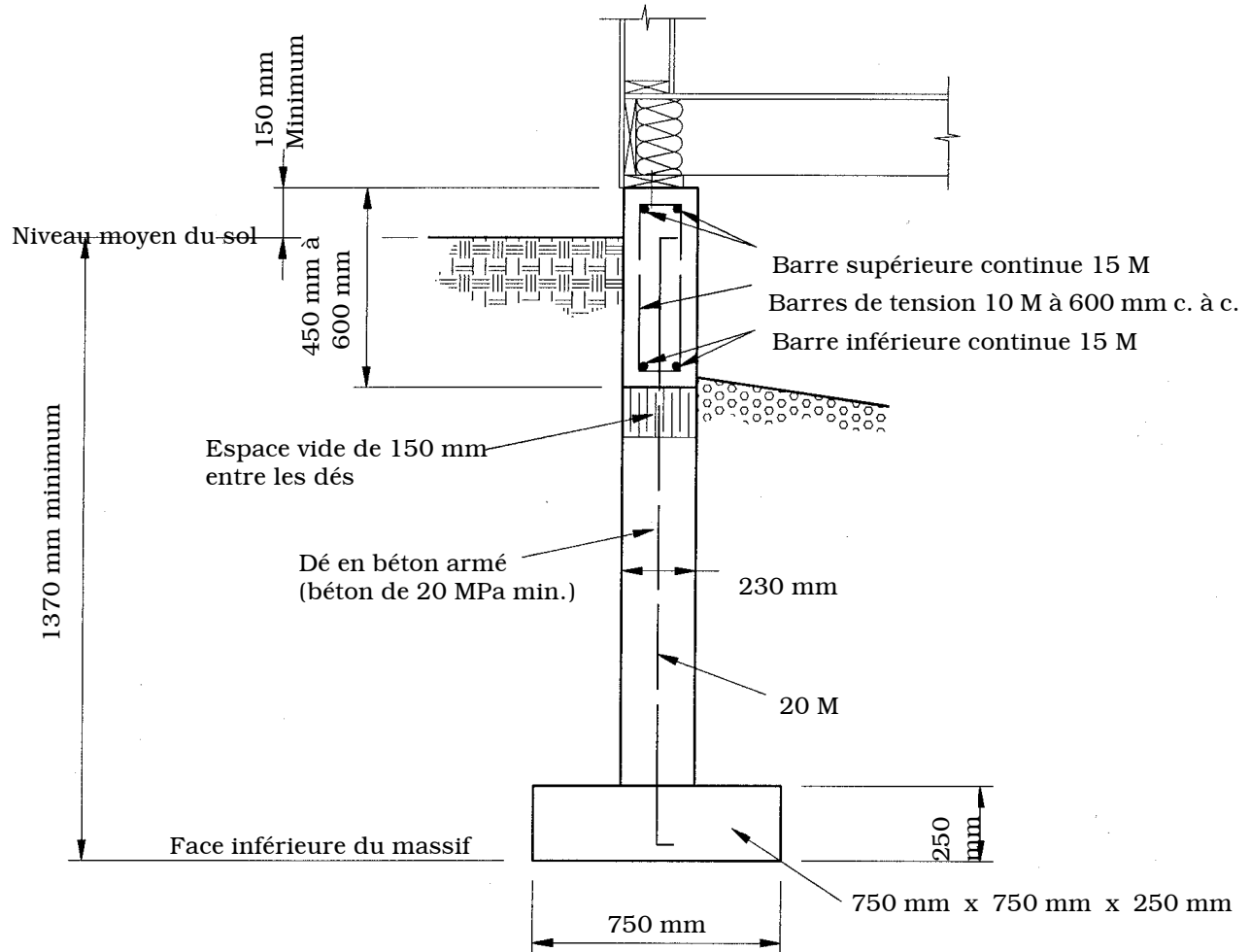


NOTES :

- 1) Les murs de plus de 12 mètres de long doivent être conçus par un *ingénieur*.
- 2) « M » désigne une barre métrique.

Figure 9.15.2.5.D.
 faisant partie intégrante de la sous-section 9.15.2.5. 1)

CONSOLIDATION MINIMALE DES
 DÉS ET POUTRES SUR LE SOL PÉRIPHÉRIQUES DANS DES SOLS À TEXTURE FINE
 POUR LES LOGEMENTS D'UN ÉTAGE À OSSATURE DE BOIS



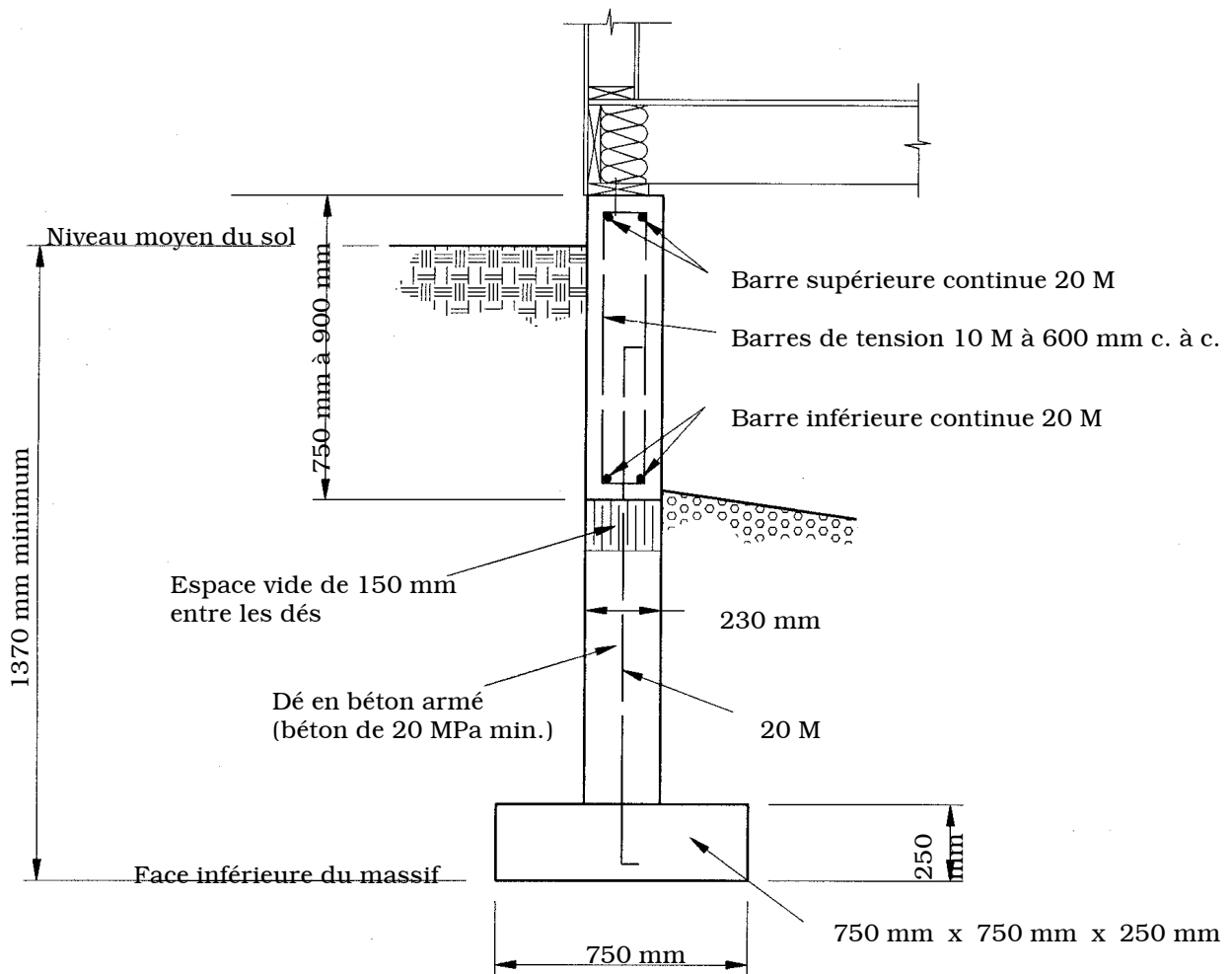
DÉS @ 2,5 mètres c. à c. MAXIMUM

NOTES :

- 1) La longueur supportée maximale des solives est de 2,44 mètres.
- 2) « M » désigne une barre métrique.

Figure 9.15.2.5.E.
faisant partie intégrante de la sous-section 9.15.2.5. 1)

CONSOLIDATION MINIMALE DES
DÉS ET POUTRES SUR LE SOL PÉRIPHÉRIQUES DANS DES SOLS À TEXTURE FINE
POUR LES LOGEMENTS D'UN ÉTAGE À OSSATURE DE BOIS

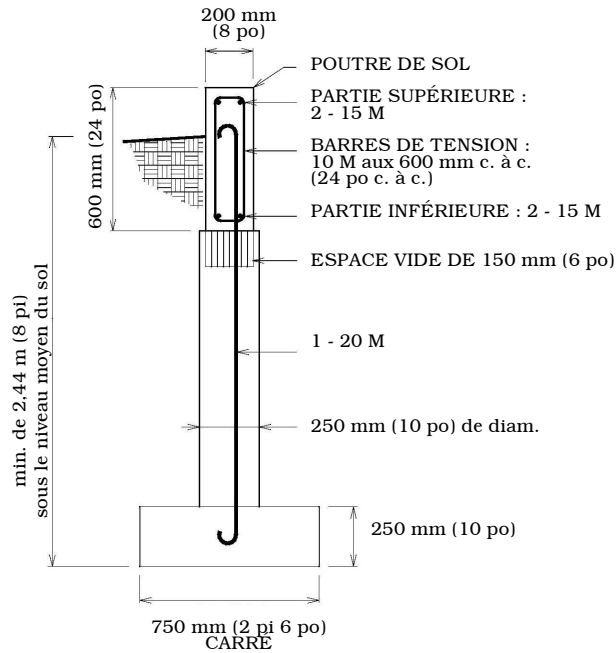


DÉS @ 3,0 mètres c. à c. MAXIMUM

NOTES :

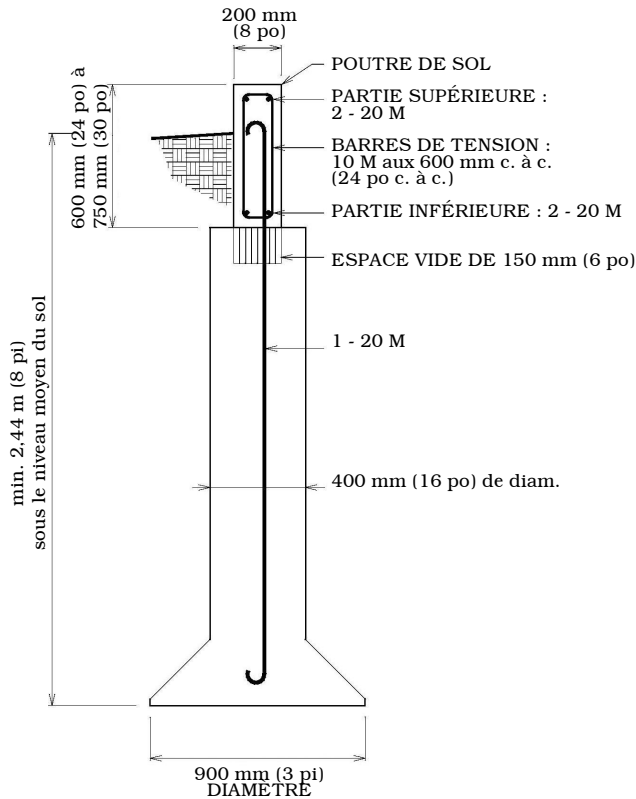
- 1) La longueur supportée maximale des solives est de 3,05 mètres.
- 2) « M » désigne une barre métrique.

Figure 9.15.2.5.F.
 faisant partie intégrante de la sous-section 9.15.2.5. 1)
**CONSOLIDATION MINIMALE DES POUTRES SUR LE SOL DANS DES
 SOLS À TEXTURE FINE POUR LES GARAGES ATTENANTS D'UN ÉTAGE**



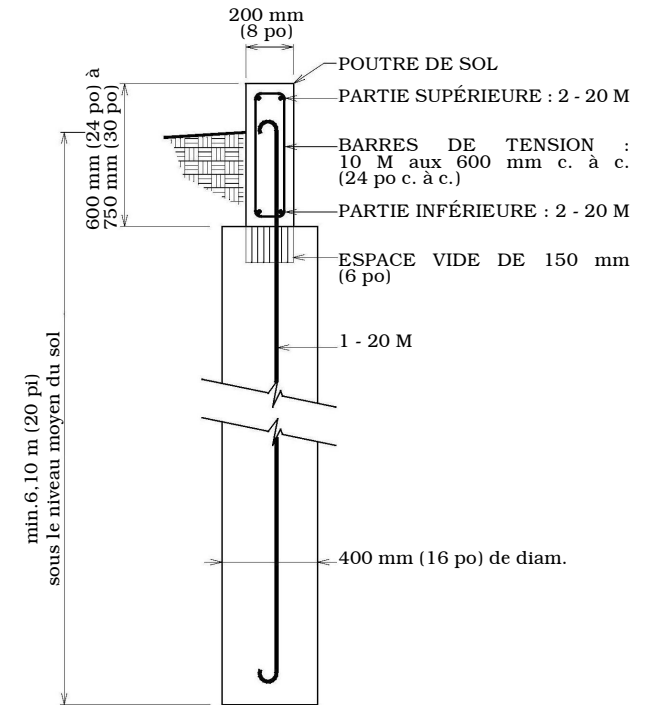
DÉS ET MASSIF

Espacement max. de 2,44 m c. à c. (8 pi c. à c.)



PIEU ÉCLATÉ

Espacement max. de 3,66 m c. à c. (12 pi c. à c.)



PIEU FLOTTANT

Espacement max. de 3,66 m c. à c. (12 pi c. à c.)

R.M. 4/2008

2(19) Le paragraphe 9.16.3.1. 1) est modifié par adjonction, à la fin, de « (Voir l'annexe A.) ».

2(20) Il est ajouté, après la sous-section 9.25.4., ce qui suit :

9.25.5. Aires à isoler

9.25.5.1. Généralités

1) La présente sous-section s'applique à la conception, à la construction et à l'*usage* :

- a) des nouveaux *bâtiments*, ou des *rajouts* chauffés aux *bâtiments* existants, dont la *hauteur de bâtiment* n'excède pas trois *étages*, dont l'*aire de bâtiment* n'est pas supérieure à 600 m² et qui abritent uniquement des *logements*, des *locaux techniques* auxiliaires connexes, des *moyens d'évacuation* communs ou des garages desservant les logements; et
- b) des nouveaux *bâtiments*, ou des *rajouts* chauffés aux *bâtiments* existants, abritant une habitation comprenant un seul logement.

2) Les exigences de la présente sous-section s'appliquent également aux éléments fonctionnels d'un *bâtiment* qui séparent un *logement* d'un garage de remisage contigu, que le garage soit chauffé ou non.

3) Les valeurs de résistance thermique nominales doivent être utilisées pour déterminer la conformité au tableau 9.25.5.2., et il n'est pas tenu compte des effets du revêtement primaire, des matériaux de finition, des films d'air et du pont thermique qu'offrent les éléments de charpente.

9.25.5.2. Valeur de résistance thermique

1) Sauf disposition contraire du paragraphe 2), la résistance thermique d'une *enveloppe de bâtiment* doit être conforme au tableau 9.25.5.2.

2) Abrogé, R.M. 142/2010.

**Tableau 9.25.5.2.
Résistance thermique minimale de l'enveloppe des bâtiments
faisant partie de l'article 9.25.5.2.**

Élément fonctionnel de construction	Sud du Manitoba¹	Nord du Manitoba²
Murs de <i>fondations</i> intérieurs et extérieurs ^{3 4}	RSI-3,5 (R-20) ou RSI-2,1 (R-12) pour le mur intérieur et RSI-0,88 (R-5) pour le mur extérieur	RSI-3,5 (R-20) ou RSI-2,1 (R-12) pour le mur intérieur et RSI-0,88 (R-5) pour le mur extérieur
Planchers chauffés reposant sur le sol	RSI-0,88 (R-5) surface totale	RSI-0,88 (R-5) surface totale
Planchers non chauffés reposant sur le sol (moins de 0,6 m au-dessous du <i>niveau moyen du sol</i>)	RSI-0,88(R-5) 1 m sur toute la périphérie	RSI-0,88(R-5) 1 m sur toute la périphérie
Planchers non chauffés reposant sur le sol (0,6 m ou plus au-dessous du <i>niveau moyen du sol</i>)	aucune exigence	aucune exigence
Planchers au-dessus d'espaces non chauffés	RSI-4,0 (R-28)	RSI-4,0 (R-28)
Murs au-dessus du <i>niveau moyen du sol</i>	RSI-3,5 (R-20)	RSI-4,6 (R-26)
Toits (greniers)	RSI-8,8 (R-50)	RSI-8,8 (R-50)
Toits (plafonds inclinés)	RSI-4,9 (R-28)	RSI-4,9 (R-28)

¹ Au sud du 53^e parallèle.

² Au 53^e parallèle ou au nord de ce dernier.

³ Voir le paragraphe 9.25.5.3. 1) pour la profondeur minimale de l'isolation au-dessous du *niveau moyen du sol*.

⁴ Voir le paragraphe 9.25.5.4. 1) pour les murs de *fondation* qui s'élèvent à plus de 1,2 m au-dessus du niveau du sol.

9.25.5.3. Éléments fonctionnels de construction reposant sur le sol

1) Les murs de *fondation* sont isolés en plaçant de l'isolant à partir de la face inférieure du faux-plancher jusqu'à au moins 2,4 m au-dessous du *niveau moyen du sol* extérieur ou jusqu'à la base du mur de *fondation* si celui-ci se trouve à une profondeur inférieure.

2) Les planchers qui reposent sur le sol sont isolés en plaçant de l'isolant :

- a) s'il s'agit de planchers non chauffés qui ne sont pas plus de 0,6 m au-dessous du *niveau moyen du sol*, sur leur surface supérieure ou inférieure sur une distance d'au moins 1 mètre à partir de la périphérie; ou

- b) s'il s'agit de planchers dotés de matériel de chauffage, sur toute leur surface inférieure.

9.25.5.4. Éléments fonctionnels de construction au-dessus du sol

1) Si le sommet du mur de *fondation* se trouve à plus de 1,2 m au-dessus du *niveau moyen du sol* contigu, la partie du mur de *fondation* au-dessus du sol est isolée jusqu'aux niveaux qu'exige le tableau 9.25.5.2. pour les murs extérieurs.

2) La résistance thermique des toits à grenier près du débord de toit peut être inférieure à la norme exigée au tableau 9.25.5.2. dans la mesure où l'exigent la pente du toit et le dégagement nécessaire à la ventilation, mais la résistance thermique à un point directement au-dessus de la surface intérieure du mur extérieur doit être d'au moins RSI 3,5.

3) Toute trappe de visite séparant un espace chauffé d'un espace non chauffé tel qu'un grenier ou un vide sanitaire doit être isolée au même degré que l'élément fonctionnel faisant partie de l'*enveloppe de bâtiment* dans lequel elle est pratiquée.

9.25.5.5. Rendement énergétique de l'équipement — habitation

1) Le rendement minimal annuel en combustible d'un *générateur d'air chaud* installé dans un *bâtiment* visé au paragraphe 9.25.5.1. 1) :

- a) est déterminé en conformité avec la norme CAN/CSA-P.2, « Méthode d'essai pour mesurer le taux d'utilisation annuel de combustible des chaudières et générateurs d'air chaud à gaz résidentiels »;
- b) est conforme au tableau 9.25.5.5.

Tableau 9.25.5.5.

Source de combustible	Rendement minimal annuel en combustible
Gaz naturel	94 %
Propane	94 %

9.25.5.6. Foyers au gaz

- 1) Les foyers au gaz installés dans un *bâtiment* visé au paragraphe 9.25.5.1. 1) :
- a) sont munis d'un allumage électronique plutôt que d'une veilleuse à flamme permanente;
- b) sont à *ventilation directe* sans avoir de *cheminée*;
- c) sont munis d'une sortie d'air située à au moins 2 000 mm de toute prise d'air du *bâtiment*.

2(21) Il est ajouté, après la sous-section 9.28.6., ce qui suit :

9.28.7. Mise en œuvre du stucco — maisons unifamiliales, bifamiliales et en rangée

9.28.7.1. Application de deux couches — maisons unifamiliales, bifamiliales et en rangée

1) Malgré la sous-section 9.28.6., la présente sous-section s'applique aux maisons unifamiliales, bifamiliales ou en rangée.

9.28.7.2. Basses températures

1) Le support du stucco doit être maintenu à l'abri du gel.

2) Le stucco doit conserver une température d'au moins 4°C pendant sa mise en œuvre et pendant une période d'au moins 48 heures par la suite.

9.28.7.3. Nombre de couches et épaisseur totale

1) Le stucco doit être constitué d'au moins une couche de fond et une couche de finition, produisant ainsi une épaisseur totale d'au moins 15 mm, mesurée à partir de la face du papier de revêtement du mur ou, s'il n'y a pas de lattes, de la face de la maçonnerie.

9.28.7.4. Première couche

1) La première couche doit avoir au moins 9 mm d'épaisseur, mesurée à partir de la face du papier de revêtement du mur ou de la maçonnerie, et elle doit enrober complètement le lattes.

2) La surface de la première couche doit être striée pour faciliter l'accrochage de la deuxième couche.

9.28.7.5. Couche de finition

1) La couche de finition est constituée des deux applications suivantes : une couche de base et une finition texturée.

2) L'épaisseur de la couche de base doit être d'au moins 3 mm.

3) L'épaisseur de la finition texturée doit être d'au moins 3 mm.

2(21.1) L'article 9.32.3.12. est remplacé par ce qui suit :

9.32.3.12. Ventilateurs-récupérateurs de chaleur

1) Des ventilateurs-récupérateurs de chaleur dont l'efficacité de récupération sensible (ERS) minimale est de 60 % à 0 °C et de 62 % à -25 °C doivent être installés dans tout bâtiment visé au paragraphe 9.25.5.1. 1), à l'exception des habitations saisonnières.

2) Les ventilateurs-récupérateurs de chaleur doivent être conçus en conformité avec la norme CAN/CSA-F326-M91, « Ventilation mécanique des habitations ».

- 3) Les ventilateurs-récupérateurs de chaleur doivent être installés en conformité :
- a) avec la norme CAN/CSA-F326-M91, « Ventilation mécanique des habitations »;
 - b) avec les directives du fabricant ou du *concepteur*.

R.M. 142/2010

2(22) Il est ajouté, après la partie 9, ce qui suit :

Partie 10

Normes de construction spéciales

Section 10.1. Piscines privées

10.1.1. Domaine d'application

10.1.1.1. Domaine d'application

- 1) La présente partie s'applique aux *piscines privées*.
- 2) Les piscines non privées doivent être conformes aux exigences de la *Loi sur la santé publique* et aux règlements d'application de cette loi.

10.1.2. Clôtures et moyens d'accès

10.1.2.1. Enceintes

- 1) Les *piscines privées* extérieures doivent être entourées d'une clôture ou d'une enceinte appropriée construite conformément aux exigences suivantes :
 - a) sa hauteur doit être d'au moins 1,5 m;
 - b) elle ne peut comporter d'autre ouverture qu'une porte donnant accès à un *bâtiment* ou qu'une barrière conforme à l'alinéa c) et il doit être impossible à un enfant de ramper sous la clôture ou la barrière;
 - c) les barrières doivent se fermer d'elles-mêmes, être d'une hauteur minimale de 1,5 m et s'enclencher au moyen d'un loquet verrouillable afin d'interdire l'accès aux personnes non autorisées;
 - d) si la clôture est grillagée, la surface extérieure de la clôture ou de la barrière doit être au moins de calibre 11;
 - e) si la clôture n'est pas grillagée, sa surface extérieure, ainsi que celle de la barrière, doit être unie et n'offrir aucun point d'appui aux pieds ou aux orteils; et
 - f) si l'autorité compétente estime que certaines particularités de l'enceinte sont inacceptables, des mesures appropriées doivent être prises en vue de corriger la situation.

10.1.2.2. Entretien

1) L'enceinte entourant une *piscine privée* extérieure doit toujours être maintenue en bon état.

10.1.2.3. Couvertres de cuves thermales

1) Les articles 10.1.2.1. et 10.1.2.2. ne s'appliquent pas aux cuves thermales installées à l'extérieur sur le terrain d'un logement unifamilial si :

- a) leur diamètre ne dépasse pas 2,4 m ou si leur surface totale est d'au plus 4,65 m²;
- b) le couvercle :
 - i) possède une structure suffisamment forte pour supporter le poids d'un adulte qui marche dessus lorsqu'il est fermé;
 - ii) peut être verrouillé lorsqu'il repose sur la cuve afin d'y interdire l'accès aux personnes non autorisées; et
- c) lorsque leur utilisation n'est pas supervisée par un adulte, elles sont recouvertes en tout temps d'un couvercle :
 - i) conforme aux exigences de l'alinéa b); et
 - ii) verrouillé.

10.1.3. Câblage électrique**10.1.3.1. Exigences générales en matière d'électricité**

1) Les installations électriques doivent être conformes au *Code de l'électricité du Manitoba*.

2) Les pièces métalliques des *piscines privées*, y compris l'acier d'armature, doivent être reliées à la terre conformément aux exigences du *Code de l'électricité du Manitoba*.

10.1.3.2. Fils aérien

1) Il est interdit de poser des fils aériens au-dessus d'une piscine privée, y compris des structures connexes telles qu'un plongoir, une estrade d'observation, un pylône ou une plate-forme, ou au-dessus de la surface s'étendant horizontalement jusqu'à 3 m du bord de la piscine. Il est également interdit d'installer une *piscine privée* ou des structures connexes à une distance de 3 m ou moins — mesurée horizontalement du bord de la piscine — de fils aériens existants.

2) Les fils aériens qui suivent peuvent être posés dans les limites mentionnées au paragraphe 1) si l'*autorité compétente* estime qu'il n'est pas pratique de se conformer à ces exigences :

- a) les fils de télécommunications et les câbles supportés par un fil neutre et transportant un courant sous une tension maximale de 600 V, pourvu qu'il existe un dégagement minimal de 4,5 m (mesuré suivant le rayon);

- b) les fils transportant un courant sous une tension maximale de 50 kV phase à phase, pourvu qu'il existe un dégagement minimal de 7,5 m (mesuré suivant le rayon).

10.1.3.3. Câblage sous-terrain

1) Il est interdit de construire une *piscine privée* à moins de 1,5 m de fils électriques souterrains, y compris des fils de télécommunication, et il est interdit de poser des fils électriques souterrains, y compris des fils de télécommunication, à moins de 1,5 m des parois intérieures d'une piscine privée.

2) Le paragraphe 1) ne s'applique pas aux conducteurs de raccordement ni aux fils électriques qui alimentent le matériel relié à la piscine lorsqu'ils sont protégés par un disjoncteur en cas de mise à la terre défectueuse.

10.1.4. Exigences en matière de plomberie

10.1.4.1. Anti-refoulement

1) L'eau dans la *piscine privée* et dans le système de recirculation doit être séparée de l'eau de remplissage ainsi que de l'égout ou du système de drainage par des écarts anti-retour ou des dispositifs anti-refoulement.

10.1.4.2. Évacuation de l'eau

1) L'eau usée de la piscine doit être évacuée directement dans l'égout des eaux sanitaires ou dans le collecteur pluvial ou être retenue dans les limites du terrain du propriétaire.

10.1.5. Exigences en matière de structure

10.1.5.1. Conception

1) La conception de la structure des *piscines privées* creusées doit porter le sceau d'un *ingénieur* spécialisé dans ce type de conception.

R.M. 4/2008

3(1) Le présent article modifie la division C.

3(2) Il est ajouté, après l'article 2.2.2.2., ce qui suit :

2.2.2.3. Recours obligatoire aux concepteurs

1) Les plans, dessins et documents connexes qui accompagnent une demande de construction d'un *bâtiment* visé par l'article 1.3.3.2. de la division A sont établis, signés et scellés par un *architecte* et un *ingénieur* spécialisés, ou par l'un d'eux, conformément au tableau 2.2.2.3.

Tableau 2.2.2.3.
Recours obligatoire aux concepteurs
faisant partie intégrante du paragraphe 2.2.2.3. 1)

Classification des bâtiments	Recours obligatoire aux concepteurs*
Groupe A : établissements de réunion (à l'exception du groupe A, division 3 : arénas ayant au maximum 1 000 sièges fixes)	Architecte et ingénieur
Groupe A, division 3 : arénas Bâtiments ayant au maximum 1 000 sièges fixes	Architecte ou ingénieur
Groupe B : établissements de soins ou de détention	Architecte et ingénieur
Groupe C : habitations Bâtiments ayant une superficie de plus de 600 m ² ou comptant plus de 3 étages	Architecte et ingénieur
Groupe D : établissements d'affaires Bâtiments ayant une superficie de plus de 600 m ² ou comptant plus de 3 étages	Architecte et ingénieur
Groupe E : établissements commerciaux Bâtiments ayant une superficie de plus de 600 m ² ou comptant plus de 3 étages	Architecte et ingénieur
Groupe F, division 1 : établissements industriels à risques très élevés	Architecte ou ingénieur
Groupe F, divisions 2 et 3 : établissements industriels à risques moyens et faibles Bâtiments ayant une superficie de plus de 600 m ² ou comptant plus de 3 étages	Architecte ou ingénieur

* Le ou les concepteurs doivent être spécialisés dans le type de travail à accomplir.

2) Si l'autorité compétente détermine que les transformations apportées à un bâtiment que vise l'article 1.3.3.2. de la division A auront ou pourraient vraisemblablement avoir une incidence considérable sur l'intégrité des éléments qui suivent, les plans, dessins et documents connexes qui accompagnent la demande d'autorisation de transformation doivent être établis, signés et scellés par un architecte et un ingénieur spécialisés, ou par l'un d'eux, selon ce qu'elle décide compte tenu du type de travail à accomplir :

- a) les systèmes de sécurité incendie, y compris les avertisseurs d'incendie, les extincteurs automatiques et les canalisations;

- b) les éléments visant à assurer la sécurité des personnes, y compris les *issues*, les entrées et les *corridors communs*;
- c) les *compartiments à l'épreuve du feu*, y compris les *séparations coupe-feu* verticales ou horizontales;
- d) la stratégie structurale;
- e) les installations visant à séparer le *bâtiment* de l'extérieur, y compris l'*enveloppe de bâtiment*;
- f) les installations de chauffage, de ventilation et de conditionnement d'air;
- g) les planchers pouvant notamment être aménagés au moyen d'une *mezzanine*, d'un *rajout* ou d'un autre élément semblable; ou
- h) un ou plusieurs des éléments précités.

3) Chacun des *concepteurs* visés au paragraphe 2.2.3.1. 1) ou 2) établit, signe et scelle les plans, dessins et documents connexes qui se rapportent au type de travail dans lequel ils sont spécialisés.

R.M. 4/2008

3(3) L'article 2.2.4.2. est remplacé par ce qui suit :

2.2.4.2. Sceau professionnel et signature du concepteur

1) Les dessins de la structure et les documents connexes soumis à l'appui de la demande de permis de construction d'un *bâtiment* doivent être datés et porter le sceau professionnel autorisé et la signature de d'un *ingénieur* spécialisé dans le type de travail à accomplir.

3(4) Le paragraphe 2.2.7.2. 1) est remplacé par ce qui suit :

1) Le *concepteur*, ou toute autre personne qualifiée dont il a la responsabilité, doit examiner la construction d'un *bâtiment* ou d'une partie de *bâtiment* afin de s'assurer qu'ils sont conformes à la conception.

3(5) Le paragraphe 2.2.7.3. 1) est remplacé par ce qui suit :

1) Le *concepteur*, ou toute autre personne qualifiée dont il a la responsabilité, doit examiner les dessins d'atelier et les autres documents connexes afin de s'assurer qu'ils sont conformes à la conception.

3(6) Le paragraphe 2.2.7.4. 1) est remplacé par ce qui suit :

1) Le *concepteur*, ou toute autre personne qualifiée dont il a la responsabilité, doit examiner les matériaux, la qualité d'exécution et les résultats des essais de matériaux aux différentes étapes de la construction.

L'Imprimeur de la Reine
du Manitoba